

DRY



Special alloy pumps

General characteristics

- Special alloy pumps
- 2,4 ÷ 15 kW motor power
- 2 / 4 poles
- DN65 ÷ DN100 delivery port
- max 80 mm free passage

Electromechanical assembly

Electromechanical assembly in CF-8M (AISI 316) stainless steel, for submerged operation. Seal set comprising 2 (two) silicon carbide mechanical seals installed in series in inspectable oil sump and 1 (one) opposed graphite-alumina lip seal lubricated by the motor oil. Oil bath motor. 'Separate pump body. Series not available in explosion-proof version.

Applications

Designed for the treatment of strongly corrosive or chemically aggressive liquids, especially in the chemical industry, this unit is for a specific industrial application. Suitable for treating medium-low density fluids, containing solid and fibrous parts, sand and activated sludges.

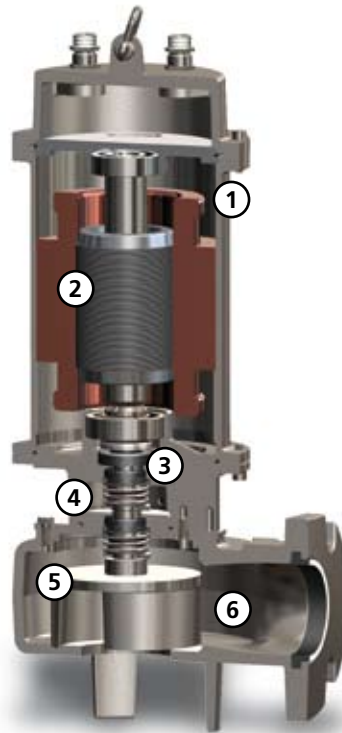
Construction materials

| | |
|----------------------------------|--|
| Case | Cast Stainless Steel - CF-8M |
| Impeller | Stainless steel |
| Nuts and bolts | Stainless Steel - Class A4-70 |
| Standard gasket | Rubber - VITON |
| Shaft | Stainless Steel - AISI 420 |
| Set of standard mechanical seals | Two Silicon carbide mechanical seals (SiC) and One Carbon-Aluminium oxide mechanical seal (AL) |

operating limits

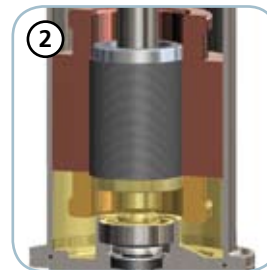
| | |
|-------------------------------|----------------------|
| Maximum operating temperature | 40 °C |
| PH of treated fluid | 5 to 10 pH |
| Viscosity of treated fluid | 1 mm ² /s |
| Maximum immersion depth | 20 m |
| Density of treated fluid | 1 Kg/dm ³ |
| Maximum acoustic pressure | 70 dB |
| max starts per hour | 20 |

DRY



Structure

CF-8M steel construction which makes the pump suitable for use in saline environments



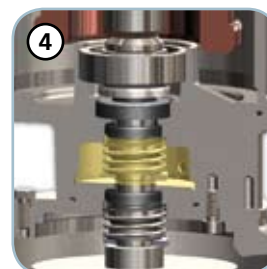
Motor

Oil-bath motor with thermal overloads



Mechanical seals

Two mechanical seals in silicon carbide (SiC) and one mechanical seal in alumina graphite (AL) for maximum reliability even in heavy-duty applications



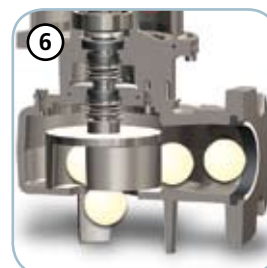
Oil sump

Large oil sump to guarantee longer mechanical seal lifetime



Impeller

Multichannel open impeller in CF-8M steel



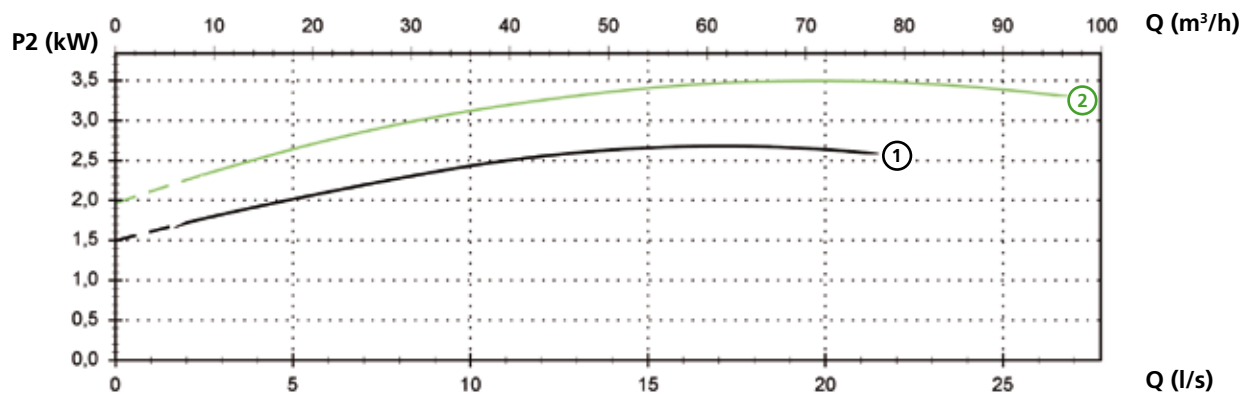
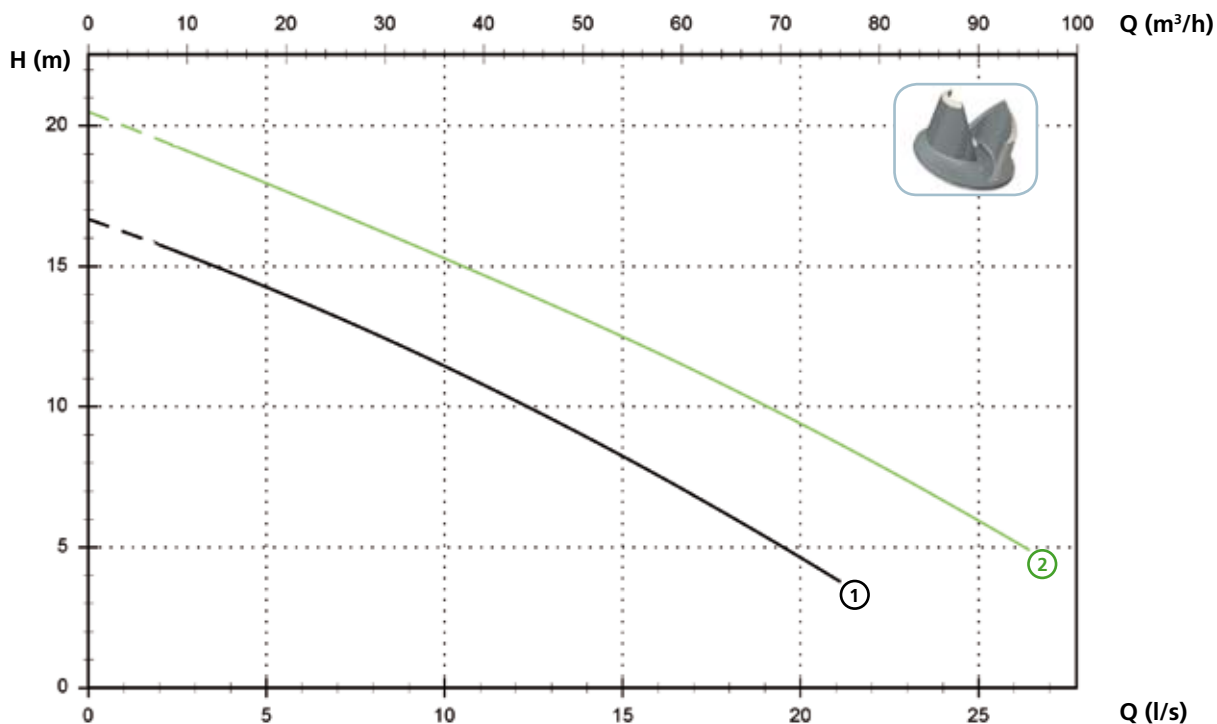
Free passage

Ample free passage allowing the expulsion of solids and preventing fouling of the impeller

DRY

Models with horizontal DN65 PN10-16 flanged delivery port - 2 poles

Performances



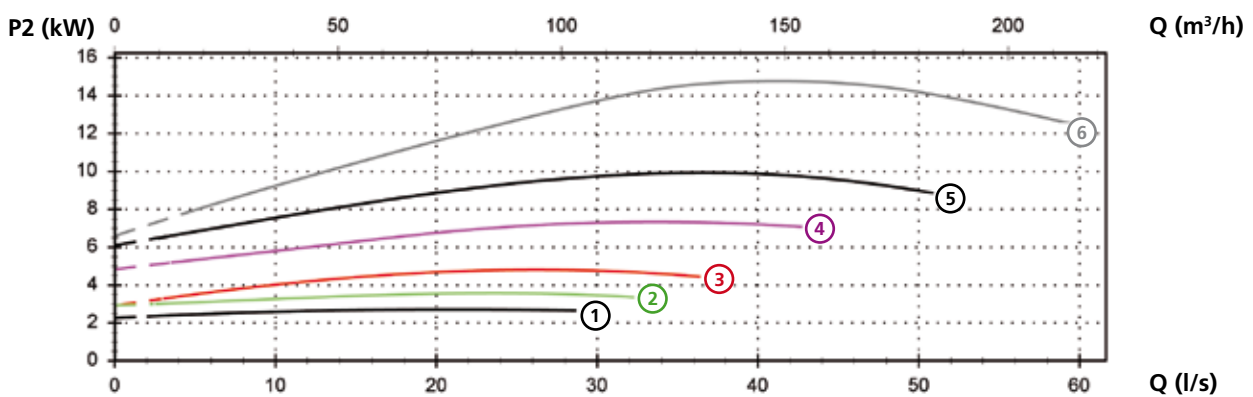
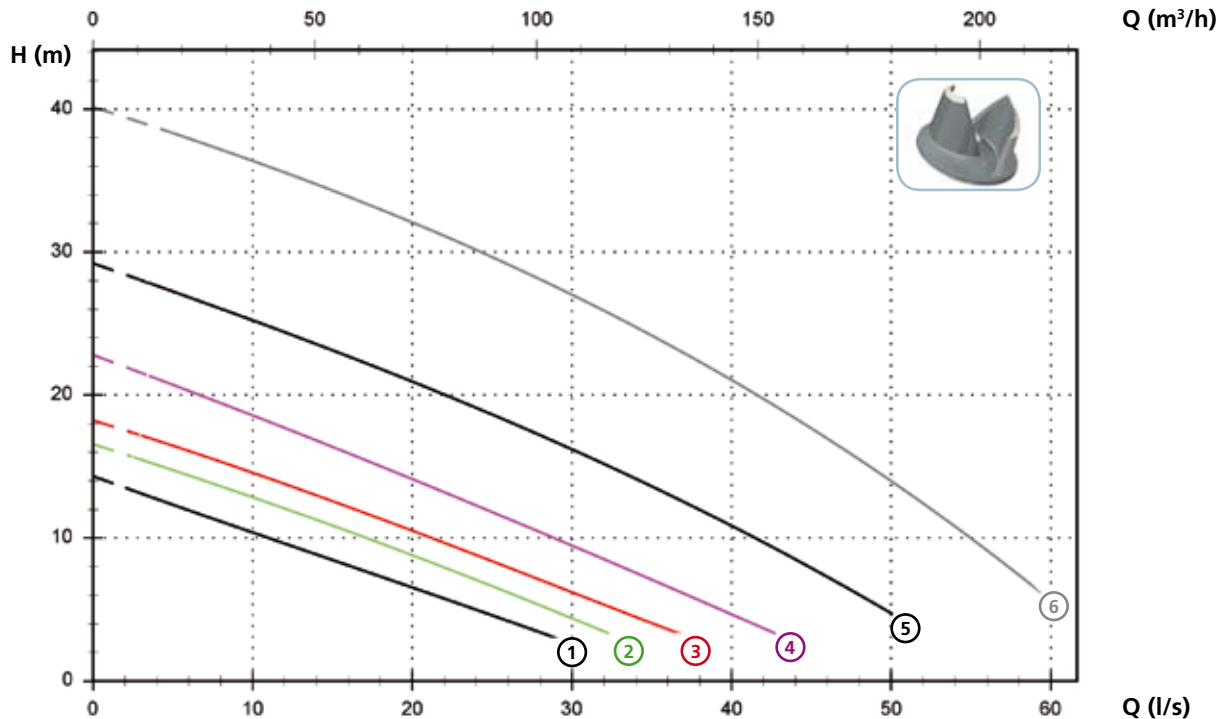
Technical data

| | V | Phases | P1 (kW) | P2 (kW) | A | Rpm | Ø | Cable (*) | Free passage |
|------------------------|-----|--------|---------|---------|---|------|--------------|-----------|--------------|
| ① DRY 300/2/65 A0ET/50 | 400 | 3 | 3.7 | 2.7 | 6 | 2900 | DN65 PN10-16 | A | 43 mm |
| ② DRY 400/2/65 A0FT/50 | 400 | 3 | 4.7 | 3.6 | 8 | 2900 | DN65 PN10-16 | A | 43 mm |

(*) A = H07RN-F 4G1.5 + H07RN-F 2G1 - 10 m

Models with horizontal DN80 PN10 flanged delivery port - 2 poles

Performances



Technical data

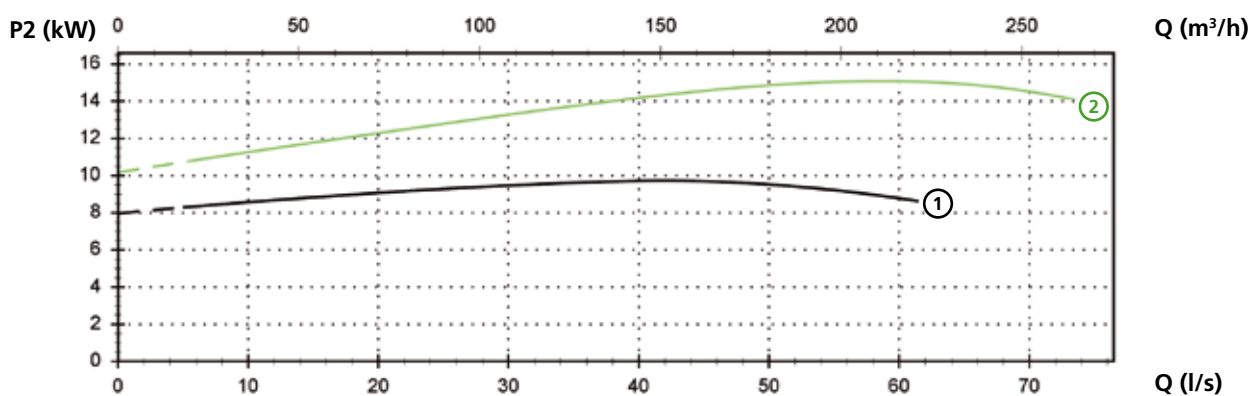
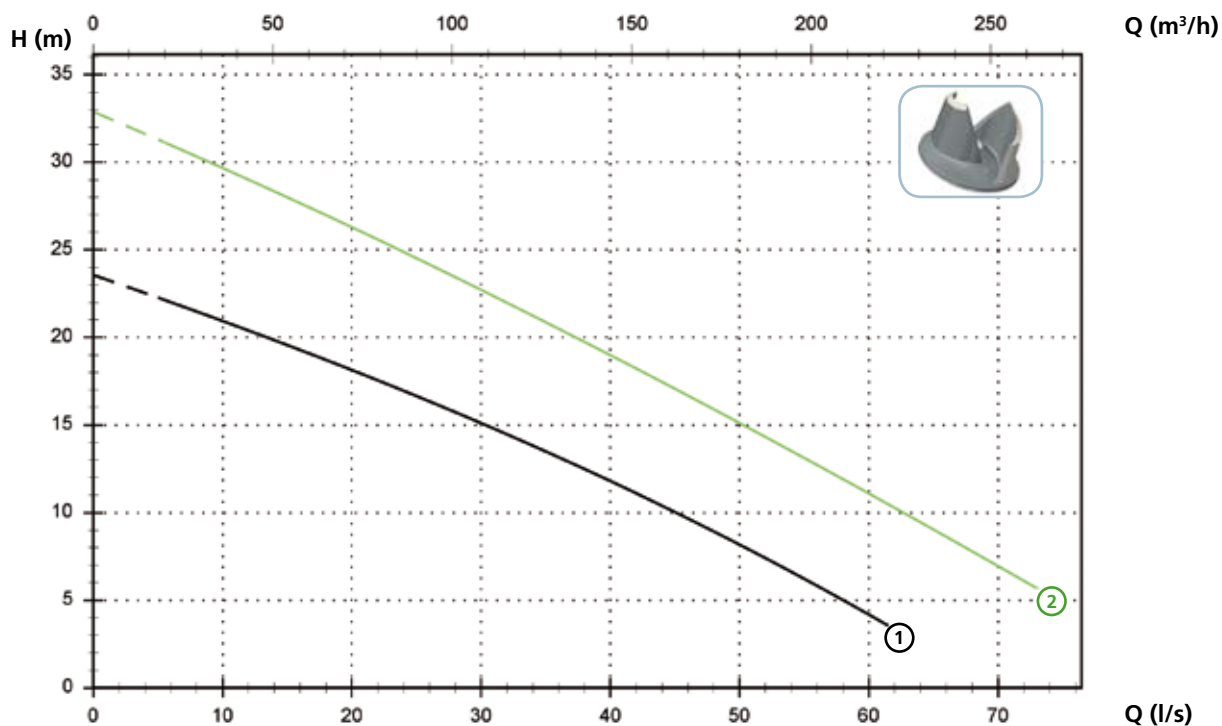
| | V | Phases | P1 (kW) | P2 (kW) | A | Rpm | Ø | Cable (*) | Free passage |
|---|-----|--------|---------|---------|------|------|-----------|-----------|--------------|
| ① | 400 | 3 | 3.7 | 2.7 | 6 | 2900 | DN80 PN10 | A | 56 mm |
| ② | 400 | 3 | 4.7 | 3.6 | 8 | 2900 | DN80 PN10 | A | 56 mm |
| ③ | 400 | 3 | 5.9 | 4.9 | 10.1 | 2900 | DN80 PN10 | A | 56 mm |
| ④ | 400 | 3 | 8.8 | 7.2 | 14.5 | 2900 | DN80 PN10 | B | 63 mm |
| ⑤ | 400 | 3 | 12.4 | 10 | 19.8 | 2900 | DN80 PN10 | B | 65 mm |
| ⑥ | 400 | 3 | 17.7 | 15 | 28.2 | 2900 | DN80 PN10 | B | 60 mm |

(*) A = H07RN-F 4G1.5+ H07RN-F 2G1 - 10 m
 B = H07RN-F 4G2.5 + H07RN-F 4G2.5 + H07RN-F 2G1 - 10 m

DRY

Models with horizontal DN100 PN10-16 flanged delivery port - 2 poles

Performances



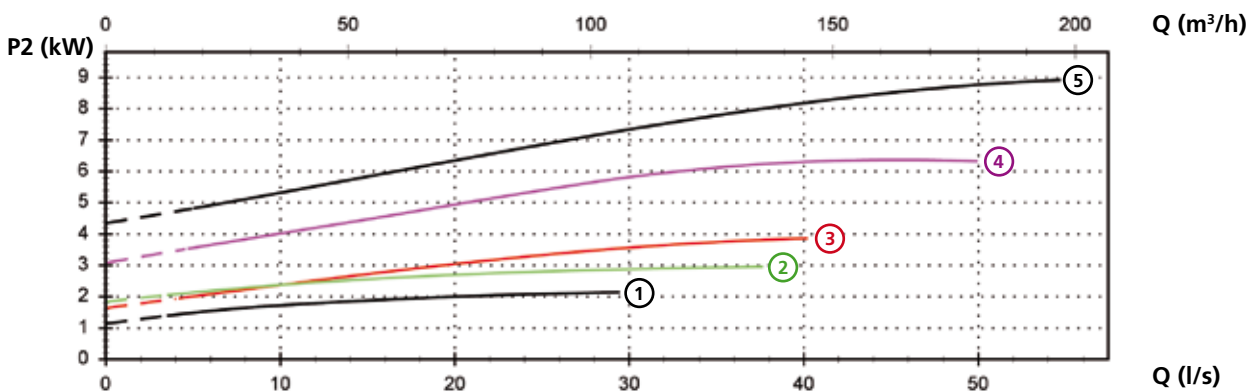
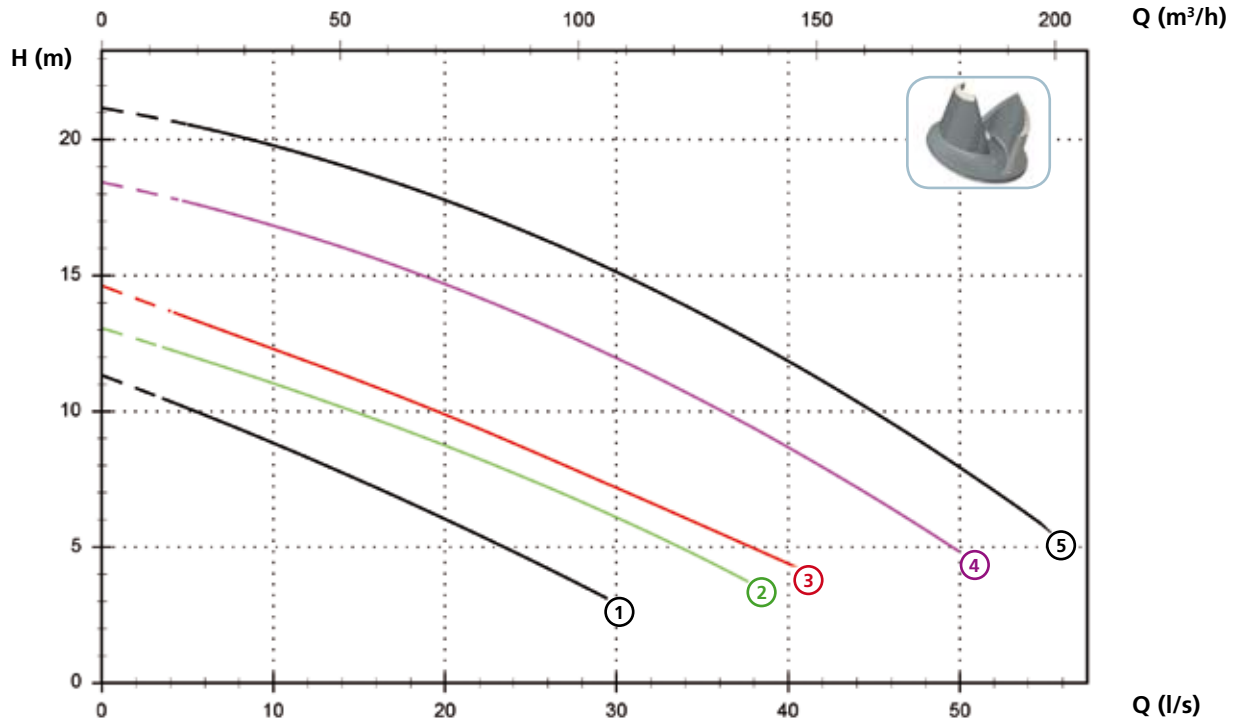
Technical data

| | V | Phases | P1 (kW) | P2 (kW) | A | Rpm | Ø | Cable (*) | Free passage |
|--------------------------|-----|--------|---------|---------|------|------|---------------|-----------|--------------|
| ① DRY 1000/2/100 A0HT/50 | 400 | 3 | 12.4 | 10 | 19.8 | 2900 | DN100 PN10-16 | A | 80 mm |
| ② DRY 1500/2/100 A0HT/50 | 400 | 3 | 17.7 | 15 | 28.2 | 2900 | DN100 PN10-16 | A | 80 mm |

(*) A = H07RN-F 4G2.5 + H07RN-F 4G2.5 + H07RN-F 2G1 - 10 m

Models with horizontal DN80 PN10 flanged delivery port - 4 poles

Performances



Technical data

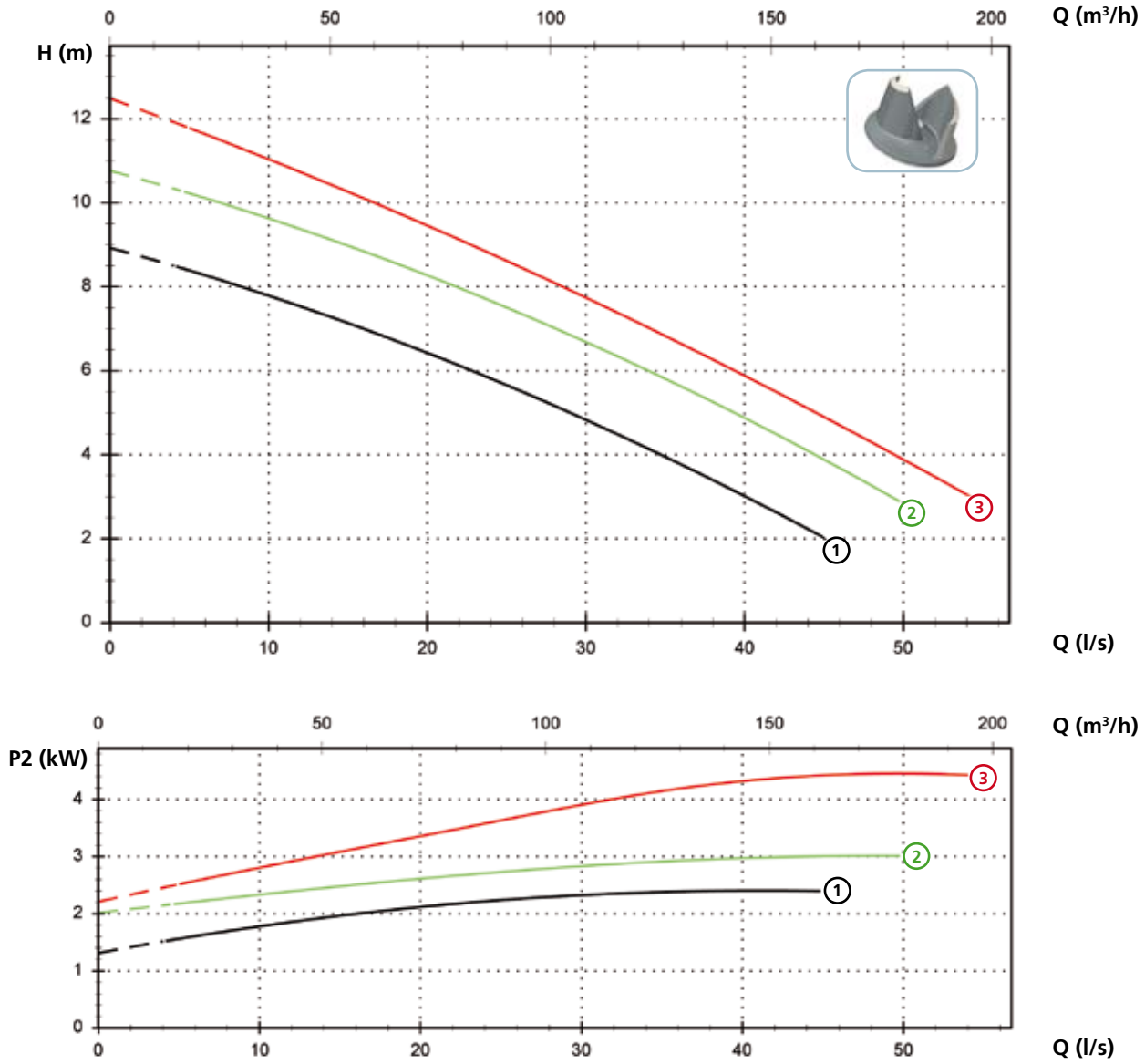
| | V | Phases | P1 (kW) | P2 (kW) | A | Rpm | Ø | Cable (*) | Free passage |
|---|-----|--------|---------|---------|------|------|-----------|-----------|--------------|
| ① | 400 | 3 | 3.1 | 2.4 | 6.1 | 1450 | DN80 PN10 | A | 67 mm |
| ② | 400 | 3 | 4.1 | 3 | 7.9 | 1450 | DN80 PN10 | A | 67 mm |
| ③ | 400 | 3 | 5.9 | 4.6 | 10.1 | 1450 | DN80 PN10 | A | 67 mm |
| ④ | 400 | 3 | 8.6 | 6.5 | 14.9 | 1450 | DN80 PN10 | B | 70 mm |
| ⑤ | 400 | 3 | 11.5 | 8.9 | 20 | 1450 | DN80 PN10 | B | 70 mm |

(*) A = H07RN-F 4G1.5 + H07RN-F 2G1 - 10 m
 B = H07RN-F 4G2.5 + H07RN-F 4G2.5 + H07RN-F 2G1 - 10 m

DRY

Models with horizontal DN100 PN10-16 flanged delivery port - 4 poles

Performances



Technical data

| | V | Phases | P1 (kW) | P2 (kW) | A | Rpm | Ø | Cable (*) | Free passage |
|-------------------------|-----|--------|---------|---------|------|------|---------------|-----------|--------------|
| ① DRY 300/4/100 A0FT/50 | 400 | 3 | 3.1 | 2.4 | 6.1 | 1450 | DN100 PN10-16 | A | 76 mm |
| ② DRY 400/4/100 A0FT/50 | 400 | 3 | 4.1 | 3 | 7.9 | 1450 | DN100 PN10-16 | A | 76 mm |
| ③ DRY 550/4/100 A0GT/50 | 400 | 3 | 5.9 | 4.6 | 10.1 | 1450 | DN100 PN1016 | B | 76 mm |

(*) A = H07RN-F 4G1.5 + H07RN-F 2G1 - 10 m
 B = H07RN-F 4G2.5 + H07RN-F 2G1 - 10 m

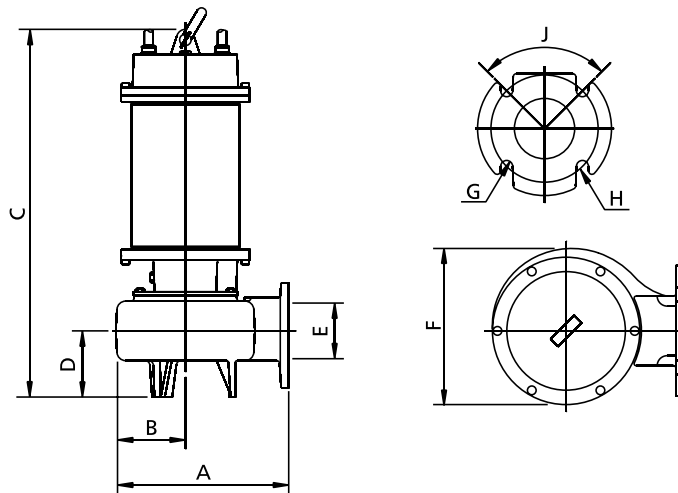
Versions available

(Key to versions on page 15)

| | Electrical variants | | | | | | | | | | | Cooling | | Mechanical seals | | | | | |
|------------------------|---------------------|---|--------|-------------|------------------|-----------------------|------------------|-----------------------|--------|--------|-------------|---------|------------------|------------------|----|------|------|-------|--------|
| | N A E | T | T C | T C D | T C D T | T C D G T | T C S T | T C S G T | T S | T R | T R G | F T | C G F T | N | CC | 2SIC | SICM | SICAL | 2SICAL |
| DRY 300/2/65 A0ET/50 | ● | | | | | | | | | | | | ● | | | | | | ● |
| DRY 400/2/65 A0FT/50 | ● | | | | | | | | | | | | ● | | | | | | ● |
| DRY 300/2/80 A0ET/50 | ● | | | | | | | | | | | | ● | | | | | | ● |
| DRY 400/2/80 A0FT/50 | ● | | | | | | | | | | | | ● | | | | | | ● |
| DRY 550/2/80 A0GT/50 | ● | | | | | | | | | | | | ● | | | | | | ● |
| DRY 750/2/80 A0HT/50 | ● | | | | | | | | | | | | ● | | | | | | ● |
| DRY 1000/2/80 A0HT/50 | ● | | | | | | | | | | | | ● | | | | | | ● |
| DRY 1500/2/80 A0HT/50 | ● | | | | | | | | | | | | ● | | | | | | ● |
| DRY 1000/2/100 A0HT/50 | ● | | | | | | | | | | | | ● | | | | | | ● |
| DRY 1500/2/100 A0HT/50 | ● | | | | | | | | | | | | ● | | | | | | ● |
| DRY 300/4/80 A0FT/50 | ● | | | | | | | | | | | | ● | | | | | | ● |
| DRY 400/4/80 A0FT/50 | ● | | | | | | | | | | | | ● | | | | | | ● |
| DRY 550/4/80 A0GT/50 | ● | | | | | | | | | | | | ● | | | | | | ● |
| DRY 750/4/80 A0HT/50 | ● | | | | | | | | | | | | ● | | | | | | ● |
| DRY 1000/4/80 A0HT/50 | ● | | | | | | | | | | | | ● | | | | | | ● |
| DRY 300/4/100 A0FT/50 | ● | | | | | | | | | | | | ● | | | | | | ● |
| DRY 400/4/100 A0FT/50 | ● | | | | | | | | | | | | ● | | | | | | ● |
| DRY 550/4/100 A0GT/50 | ● | | | | | | | | | | | | ● | | | | | | ● |

Overall dimensions and weights

2 poles motor models



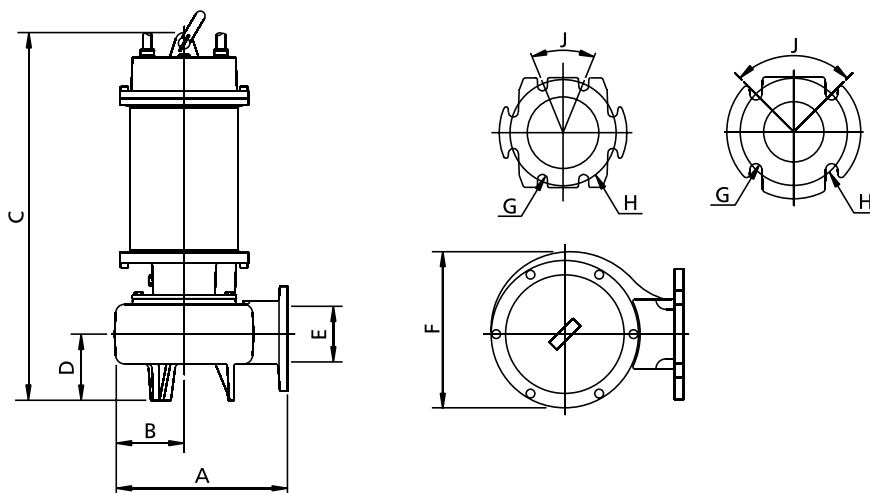
| | A | B | C | D | E | F | G | H | J | kg |
|------------------------|-----|-----|-----|-----|-----|-----|----|-----|-----|-----|
| DRY 300/2/65 A0ET/50 | 270 | 110 | 570 | 105 | 65 | 220 | 18 | 145 | 90° | 50 |
| DRY 400/2/65 A0FT/50 | 270 | 110 | 645 | 105 | 65 | 220 | 18 | 145 | 90° | 54 |
| DRY 300/2/80 A0ET/50 | 295 | 120 | 580 | 115 | 80 | 220 | 18 | 160 | 90° | 51 |
| DRY 400/2/80 A0FT/50 | 295 | 120 | 660 | 115 | 80 | 235 | 18 | 160 | 90° | 65 |
| DRY 550/2/80 A0GT/50 | 295 | 120 | 665 | 115 | 80 | 235 | 18 | 160 | 90° | 62 |
| DRY 750/2/80 A0HT/50 | 390 | 150 | 755 | 150 | 80 | 295 | 18 | 160 | 90° | 104 |
| DRY 1000/2/80 A0HT/50 | 390 | 150 | 755 | 150 | 80 | 295 | 18 | 160 | 90° | 110 |
| DRY 1500/2/80 A0HT/50 | 390 | 150 | 755 | 150 | 80 | 295 | 18 | 160 | 90° | 130 |
| DRY 1000/2/100 A0HT/50 | 415 | 160 | 770 | 155 | 100 | 310 | 18 | 180 | 90° | 115 |
| DRY 1500/2/100 A0HT/50 | 415 | 160 | 770 | 155 | 100 | 310 | 18 | 180 | 90° | 144 |

Measurements in mm

DRY

Overall dimensions and weights

4 poles motor models



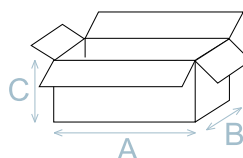
| | A | B | C | D | E | F | G | H | J | kg |
|-----------------------|-----|-----|-----|-----|-----|-----|----|-----|-----|-----|
| DRY 300/4/80A0FT/50 | 390 | 150 | 710 | 150 | 80 | 290 | 18 | 160 | 90° | 73 |
| DRY 400/4/80A0FT/50 | 390 | 150 | 710 | 150 | 80 | 290 | 18 | 160 | 90° | 81 |
| DRY 550/4/80 A0GT/50 | 390 | 150 | 720 | 150 | 80 | 290 | 18 | 160 | 90° | 87 |
| DRY 750/4/80 A0HT/50 | 440 | 170 | 775 | 155 | 80 | 340 | 18 | 160 | 90° | 120 |
| DRY 1000/4/80 A0HT/50 | 440 | 170 | 775 | 155 | 80 | 340 | 18 | 160 | 90° | 128 |
| DRY 300/4/100 A0FT/50 | 415 | 160 | 725 | 155 | 100 | 310 | 18 | 180 | 45° | 75 |
| DRY 400/4/100 A0FT/50 | 415 | 160 | 720 | 155 | 100 | 310 | 18 | 180 | 45° | 85 |
| DRY 550/4/100 A0GT/50 | 415 | 160 | 725 | 155 | 100 | 310 | 18 | 180 | 45° | 91 |

Measurements in mm

Packaging dimension

| | A | B | C |
|------------------------|-----|-----|-----|
| DRY 300/2/65 A0ET/50 | 725 | 445 | 415 |
| DRY 400/2/65 A0FT/50 | 725 | 445 | 415 |
| DRY 300/2/80A0ET/50 | 725 | 445 | 415 |
| DRY 400/2/80A0FT/50 | 725 | 445 | 415 |
| DRY 550/2/80A0GT/50 | 725 | 445 | 415 |
| DRY 750/2/80A0HT/50 | 915 | 515 | 555 |
| DRY 1000/2/80A0HT/50 | 915 | 515 | 555 |
| DRY 1500/2/80A0HT/50 | 915 | 515 | 555 |
| DRY 1000/2/100 A0HT/50 | 915 | 515 | 555 |
| DRY 1500/2/100 A0HT/50 | 915 | 515 | 555 |
| DRY 300/4/80A0FT/50 | 725 | 445 | 415 |
| DRY 400/4/80A0FT/50 | 725 | 445 | 415 |
| DRY 550/4/80 A0GT/50 | 725 | 445 | 415 |
| DRY 750/4/80 A0HT/50 | 915 | 515 | 555 |
| DRY 1000/4/80 A0HT/50 | 915 | 515 | 555 |
| DRY 300/4/100 A0FT/50 | 725 | 445 | 415 |
| DRY 400/4/100 A0FT/50 | 725 | 445 | 415 |
| DRY 550/4/100 A0GT/50 | 725 | 445 | 415 |

Dimension in mm



Installations available

