

BEDU
≡ POMPEN ≡

**ELECTRIC STAINLESS STEEL PUMPS
ALM/ALT SERIES (20L, 20, 25, 25MS,
30, 40, 50)**



made for your process

ALM AND ALT SERIES

The best solution for suction and transfer liquids, thanks to the strong self-priming capability and the possibility of operation even with discontinuous presence of the liquid in suction. The ALM/ALT series, entirely made of AISI 316 stainless steel, are particularly suitable for corrosive and food liquids. Equipped with oversized single-phase or three-phase asynchronous motors and long-lasting rotary switches, they are designed for demanding applications. For each application, it is necessary to check the suitability and choose the appropriate gaskets.

Applications:

- oenology (wine, musts)
- food industry (oil, vinegar, brine, fruit juice, beer must, milk)
- chemical industry (corrosive liquids)
- domestic environment (demineralized water, diesel, water systems)
- brewing process (beer musts, beer, washing)
- oil industry (olive oil, seed oil)
- industry (installation on plants, machines, machinery, production lines)

Models:

Product	Connections	Power	Ø Hose connector	Supply	Q Max	H Max
ALM 20L ALT 20L	3/4 "	0,1 kW	20 mm	230V-50Hz 400V-50Hz	12 lt/min	4 m
ALM 20 ALT 20	3/4 "	0,4 kW	20 mm	230V-50Hz 400V-50Hz	26 lt/min	18 m
ALM 25 ALT 25	1 "	0,4 kW	25 mm	230V-50Hz 400V-50Hz	48 lt/min	11 m
ALM 25MS ALT 25MS	1 "	0,9 kW	25 mm	230V-50Hz 400V-50Hz	54 lt/min	26 m
ALM 30 ALT 30	1 "	1,5 kW	30 mm	230V-50Hz 400V-50Hz	80 lt/min	40 m
ALM 40 ALT 40	1½ "	0,9 kW	40 mm	230V-50Hz 400V-50Hz	138 lt/min	16 m
ALM 50 ALT 50	2 "	1,5 kW 1,9 kW	50 mm	230V-50Hz 400v-50Hz	200 lt/min	27 m

Hydraulic specifications

- Shaft seal: Mechanical seal
- Maximum priming height: 6 m
- Maximum liquid density 1.1 kg /dm³ free of hard particles in suspension (e.g. sand)
- Maximum temperature 90 ° C (with seals on request up to 130 ° C)
- Not suitable for the transfer of petrol, solvents and, in general, in environments with risk of explosion and fire.
- Possibility of reversing the pumping flow
- When installing, the pump must be filled with liquid, subsequently this operation is no longer necessary.

Technical specifications

MATERIAL

- Pump body : stainless steel AISI 316
- Shaft : stainless steel AISI 316
- Impeller : stainless steel AISI 316
- Seals : FPM (Viton)
- Mechanical seal : Ceramic/Graphite/FPM (Viton)

MOTOR

- ALM SERIES are powered by a single-phase asynchronous motor 230V 50Hz
- ALT SERIES are powered by a three-phase asynchronous motor 400V 50Hz
- Degree of protection IP 44
- Insulation class F
- Power connection via cable with 2m schuko plug
- Switching on and inversion of the pumping flow through inverter switch

MOTOR

Equipped with:

ALM 20L/ALT 20L

ALM 20/ALT 20

ALM 25/ALT 25

ALM 25MS/ALT 25MS

ALM 30/ALT 30

ALM 40/ALT 40

ALM 50/ALT 50

: MEC 63 engine at 1400 rpm

: MEC 63 engine at 2800 rpm

: MEC 71 engine at 1400 rpm

: MEC 71 engine at 2800 rpm

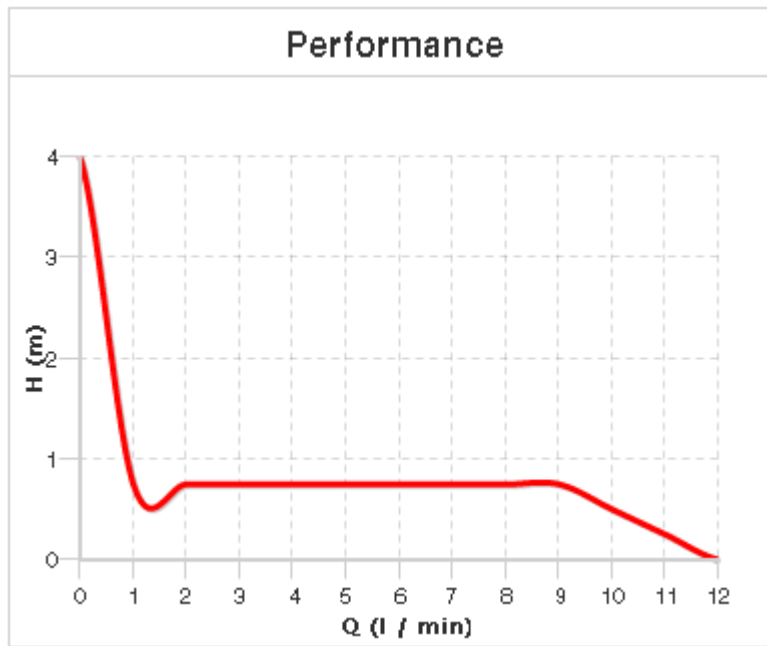
: MEC 80 engine at 2800 rpm

: MEC 80 engine at 1400 rpm

: MEC 90 engine at 1400 rpm



ALM 20L/ALT 20L SERIES

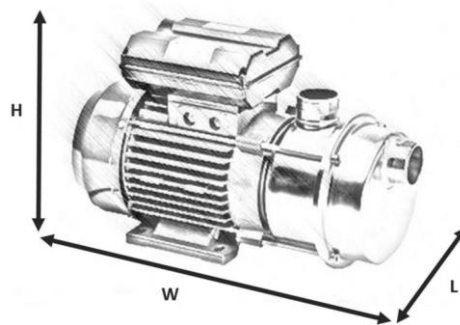


Characteristics referring to operation with water at 20°C

Flow rate (l/min)
1 m
8 lt/min

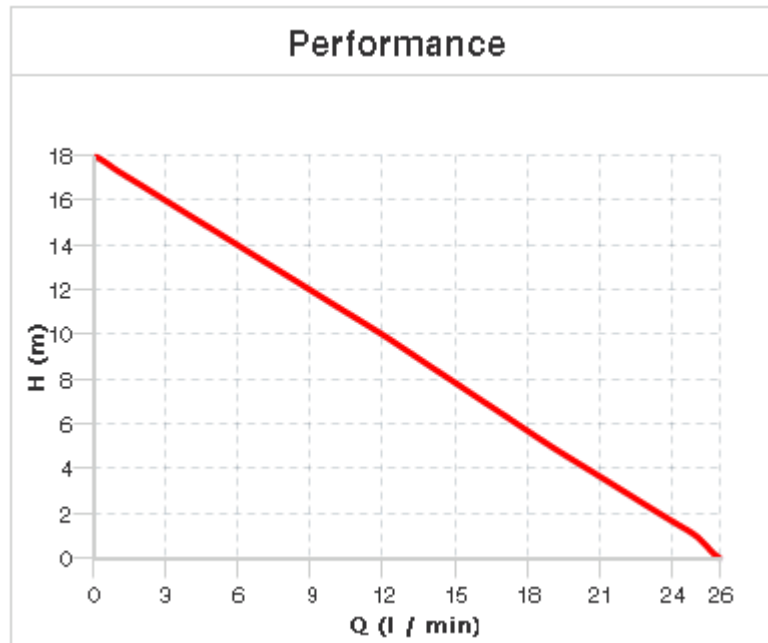
Overall dimensions				
W	L	H	Weight	Leq A *
250 mm	150 mm	195 mm	5,3 kg	60 dB

*Leq A measured 1 meter from the pump surface



www.bedu.eu

ALM 20

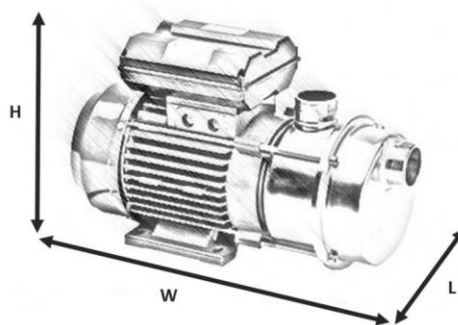


Characteristics referring to operation with water at 20°C

Flow rate (l/min)		
1 m	5 m	10 m
25 lt/min	19 lt/min	12 lt/min

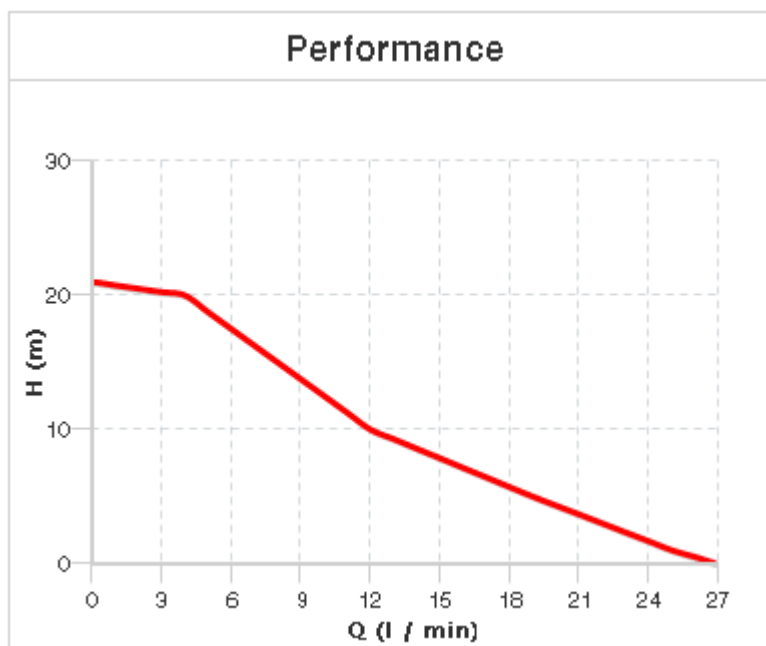
Overall dimensions				
W	L	H	Weight	Leq A *
250 mm	150 mm	195 mm	5,2 kg	64 dB

*Leq A measured 1 meter from the pump surface —



www.bedu.eu

ALT 20 SERIES

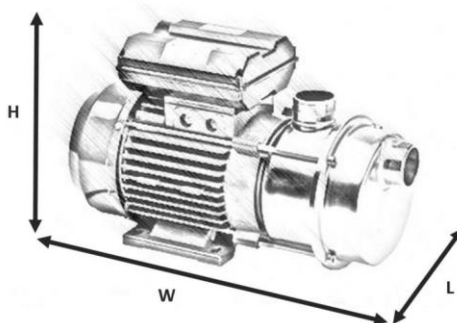


Characteristics referring to operation with water at 20°C

Flow rate (l/min)			
1 m	5 m	10 m	20 m
25 lt/min	19 lt/min	12 lt/min	4 lt/min

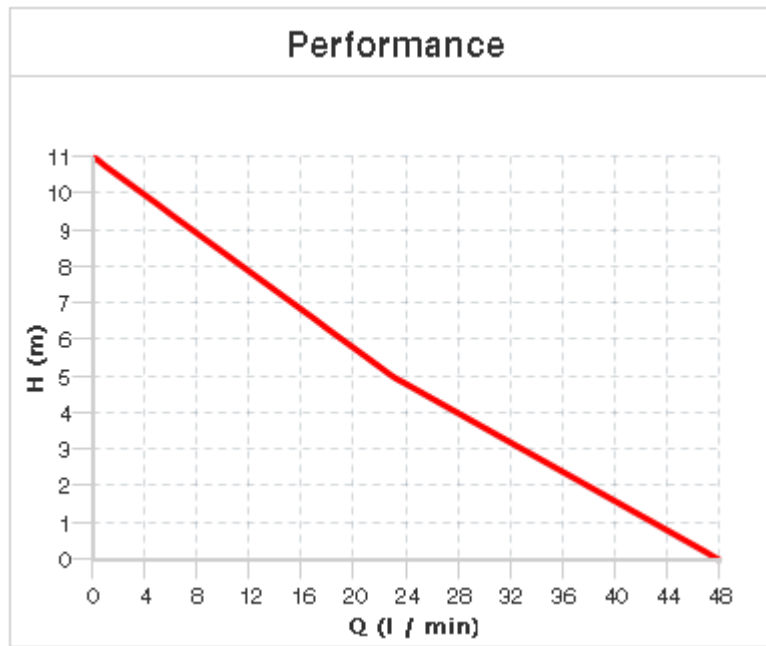
Overall dimensions				
W	L	H	Weight	Leq A *
250 mm	150 mm	195 mm	5,2 kg	64 dB

*Leq A measured 1 meter from the pump surface —



www.bedu.eu

ALM 25/ALT 25 SERIES

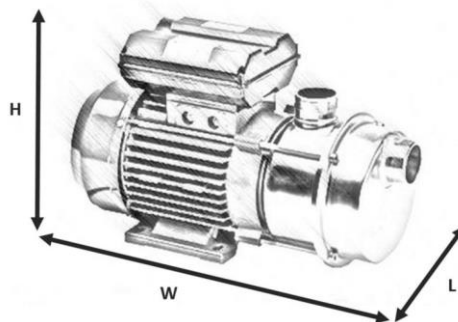


Characteristics referring to operation with water at 20°C

Flow rate (l/min)	
1 m	5 m
43 lt/min	23 lt/min

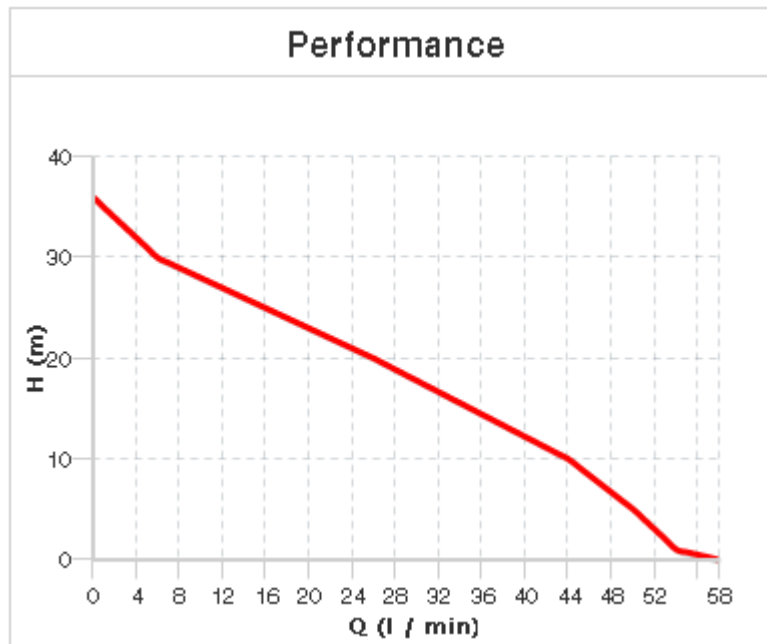
Overall dimensions				
W	L	H	Weight	Leq A *
325 mm	155 mm	210 mm	7,8 kg	65 dB

*Leq A measured 1 meter from the pump surface



www.bedu.eu

ALM 25MS

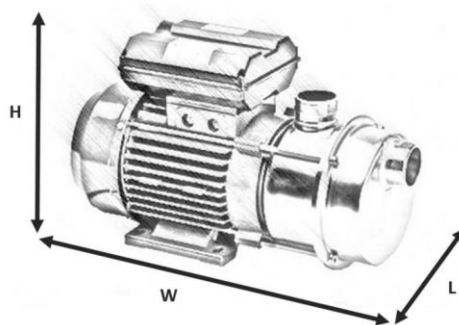


Characteristics referring to operation with water at 20°C

Flow rate (l/min)				
1m	5m	10m	20m	30m
54 lt/min	50 lt/min	44 lt/min	26 lt/min	6 lt/min

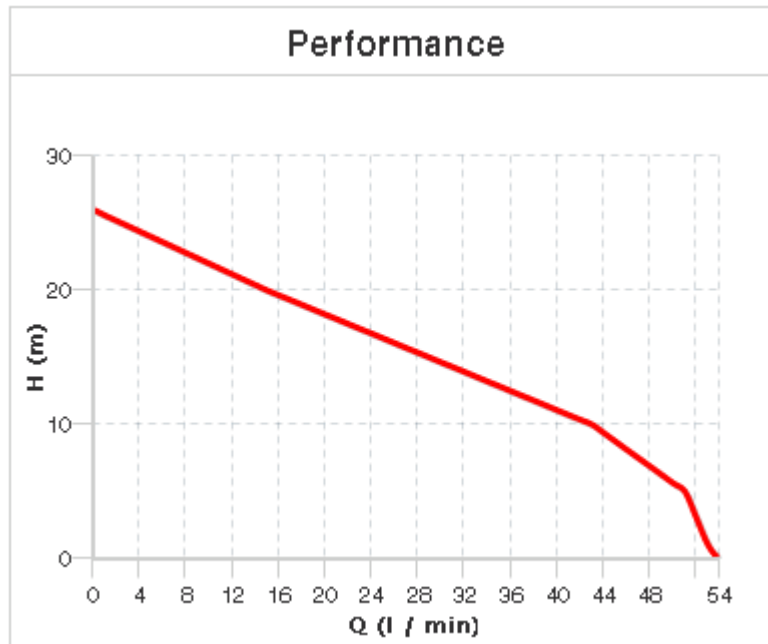
Overall dimensions				
W	L	H	Weight	Leq A *
325 mm	155 mm	210 mm	9,8 kg	86 dB

*Leq A measured 1 meter from the pump surface —



www.bedu.eu

ALT 25 MS SERIES

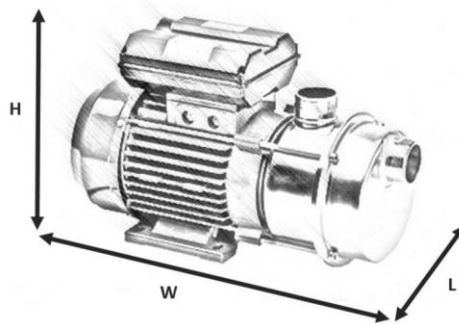


Characteristics referring to operation with water at 20°C

Flow rate (l/min)			
1m	5m	10m	20m
54 lt/min	51 lt/min	43 lt/min	15 lt/min

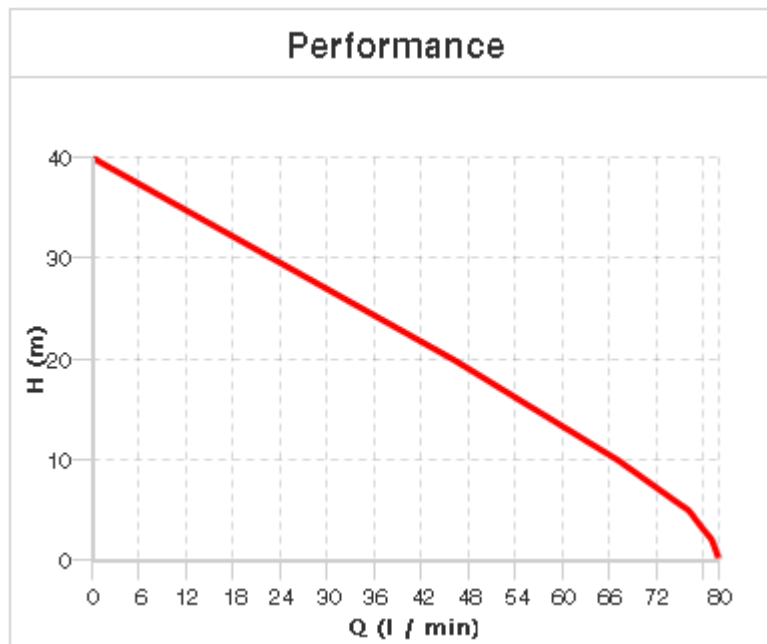
Overall dimensions				
W	L	H	Weight	Leq A *
325 mm	155 mm	210 mm	7,8 kg	86 dB

*Leq A measured 1 meter from the pump surface —



www.bedu.eu

ALM 30 /ALT 30 SERIES

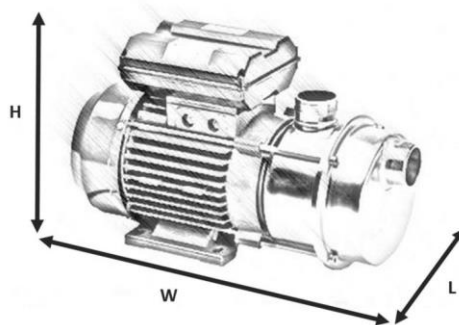


Characteristics referring to operation with water at 20°C

Flow rate (l/min)				
1m	5m	10m	20m	30m
80 lt/min	76 lt/min	67 lt/min	46 lt/min	23 lt/min

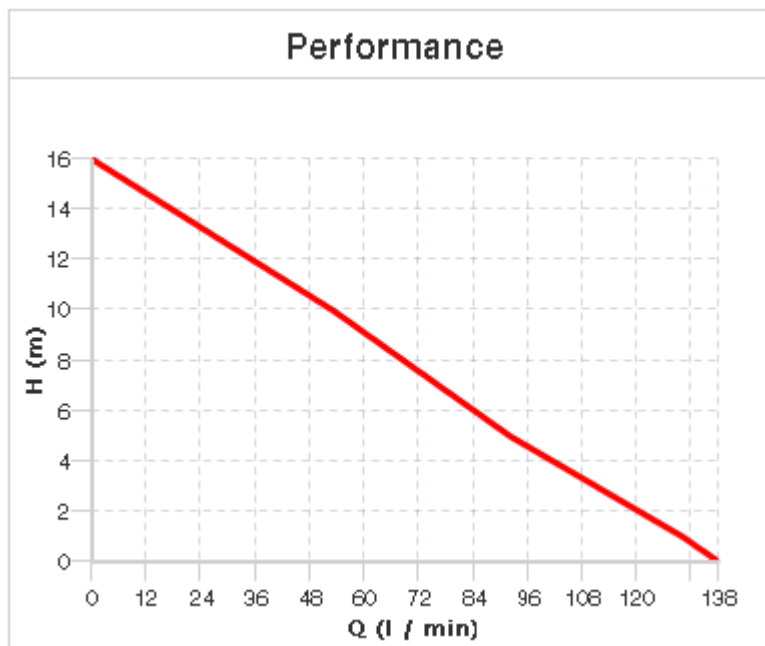
Overall dimensions				
W	L	H	Weight	Leq A *
350 mm	158 mm	230 mm	13,5 kg	78 dB

*Leq A measured 1 meter from the pump surface —



www.bedu.eu

ALM 40/ALT 40 SERIES

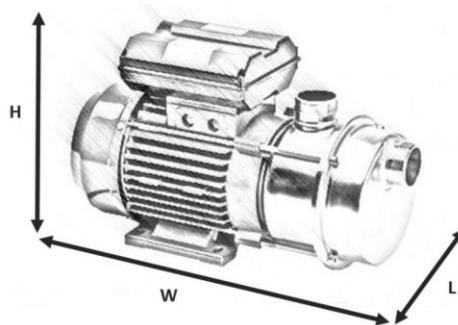


Characteristics referring to operation with water at 20°C

Flow rate (l/min)		
1m	5m	10m
130 lt/min	92 lt/min	53 lt/min

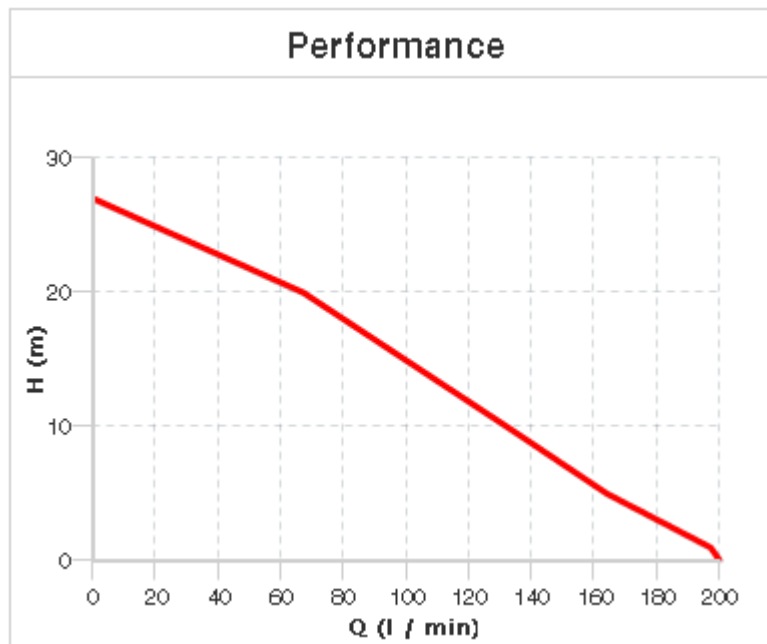
Overall dimensions				
W	L	H	Weight	Leq A *
390 mm	162 mm	230 mm	13,9 kg	79 dB

*Leq A measured 1 meter from the pump surface —



www.bedu.eu

ALM 50/ALT 50 SERIES

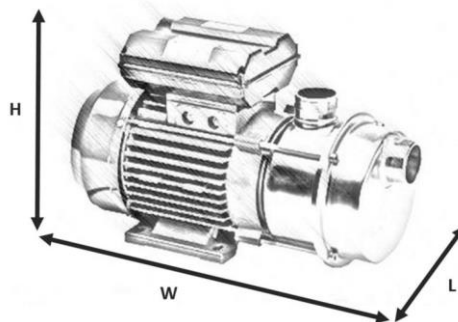


Characteristics referring to operation with water at 20°C

Flow rate (l/min)			
1m	5m	10m	20m
197 lt/min	164 lt/min	132 lt/min	67 lt/min

Overall dimensions				
W	L	H	Weight	Leq A *
438 mm	200 mm	250 mm	20,5 kg	83 dB

*Leq A measured 1 meter from the pump surface



www.bedu.eu

The logo consists of the word "BEDU" in a large, bold, white sans-serif font, with "POMPEN" in a smaller, white sans-serif font below it. The text is centered within a dark teal square, which is itself centered within a white square border.

BEDU
POMPEN

made for your process

- Expert advice
- A customer-oriented organization that adapts to the requirements and wishes of your organization
- Innovative and customized solutions
- Breakdownservice, 24 hours a day, 7 days a week
- Technical service with extensive test facilities, working from our own workplace or at your location
- A fast and appropriate solution for all your issues
- Wide range of liquid pumps
- Repair, maintenance and revision

BEDU POMPEN B.V.
Poort van Midden Gelderland Rood 10
6666 LT HETEREN
Nederland
Telefoon +31 (0)88 4802 900
E-mail sales@bedu.eu

WWW.BEDU.NL

BEDU BELGIUM B.V.B.A.
Industriepark-West 75
9100 SINT-NIKLAAS
België
Telefoon +32 (0)3 80 87 980
E-mail sales@bedu.eu

WWW.BEDU.BE

