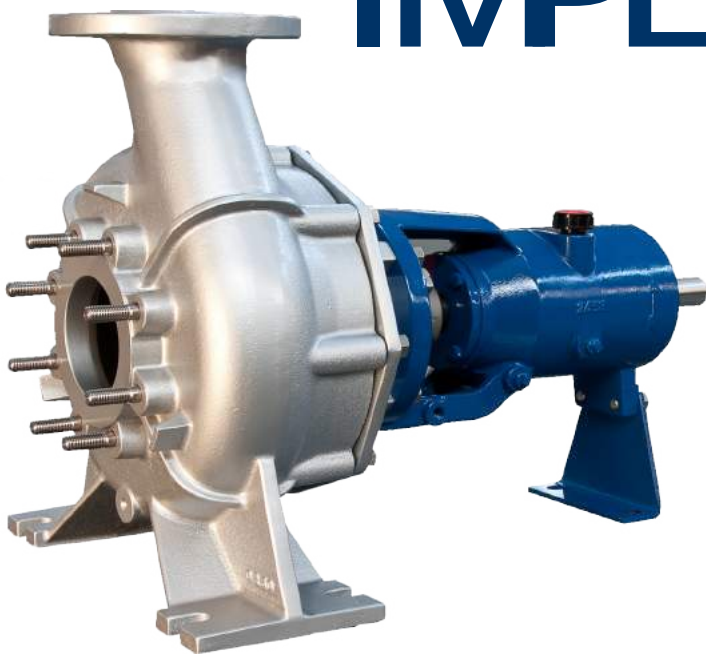


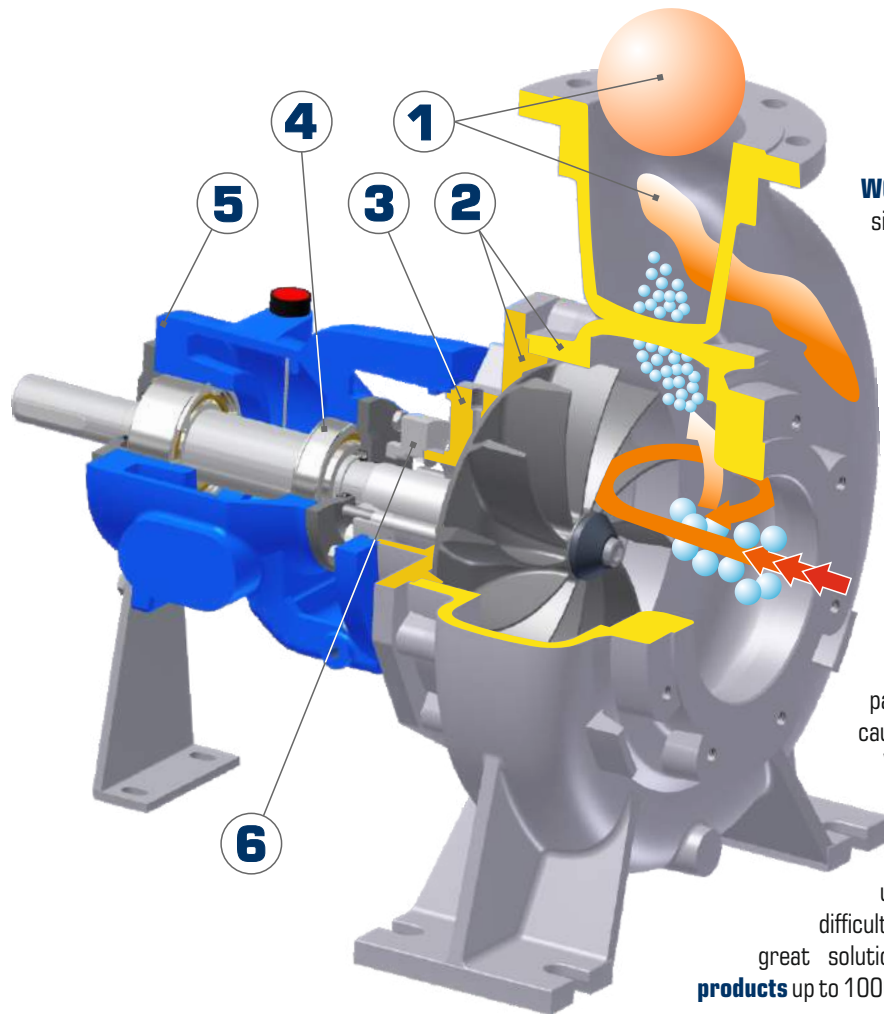
BEDU
≡ POMPEN ≡

VORTEX IMPELLER



RC

made for your process



WORKING: RC pumps are single stage pumps with a special recessed impeller placed in the back side of casing. **Soft pumping:** most of the liquid crosses the pump casing without involving directly the impeller. This assures that all crystals, delicate solids, peas, corn, beans, olives, seeds, granules, flakes of biologic mud, leather parts, ect... can be conveyed without any damage.

Long and filamentous solids pass through the pump without causing any clogging

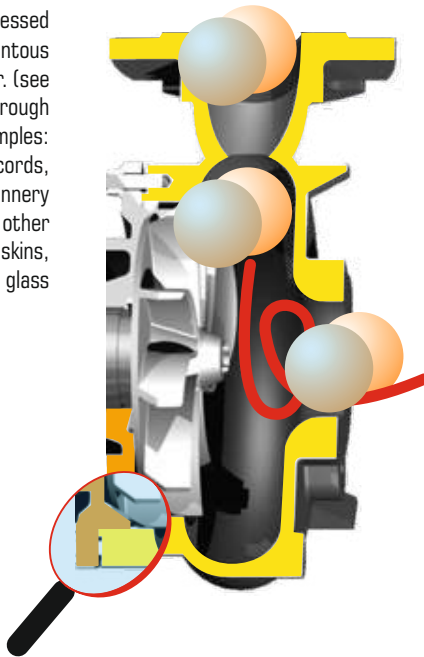
Vortex impeller is able to pump mixtures up to **50% of air or gas.**

For this reason these can be used where the liquid has difficulties to join the suction port; great solution also to transfer **viscous products** up to 1000 cPs.

- **USE:**
 - ⇒ **FOOD INDUSTRY:** to transfer liquids with suspended solids, fruit and vegetables, sludge, stones, grass, etc..
 - ⇒ **SUGAR INDUSTRY**
 - ⇒ **WATER TREATMENT :** for liquids with suspended solids, also filamentous, biological sludge, flocculated sludge, clarifier
 - ⇒ **BIOGAS PLANTS**
 - ⇒ **PAPER INDUSTRY** for suspended solids and not refined pulps
 - ⇒ **CHEMICAL INDUSTRY** for crystallizers, transfer, washing and solids or high viscosity substances recovery
 - ⇒ **TEXTILE and TANNERY INDUSTRY** for chemical baths with suspended solids and filaments
- **FREE PASSAGE:** the range includes pumps with discharge ports up to 250mm, free passage of 180 mm
- **MODULARITY:** 4 bearing housing-shaft groups are suitable for 18 sizes, from port 32 to port 250mm
- **MATERIALS:**
 - ⇒ standard in stock
 - ✓ G-250 cast iron with impellers in GS-400
 - ✓ AISI 316 with shaftsleeve and seal seat in AISI 316L
 - ⇒ **DUPLEX** with parts in SAF 2205
 - ⇒ **SUPERDUPLEX** with parts in SAF 2507
 - ⇒ AISI 304 L
 - ⇒ AISI 904L
 - ⇒ **SANICRO 28**
 - ⇒ **HASTELLOY B and C**
 - ⇒ **C6NM** wear resistant material, 400 Brinell hardness
 - ⇒ Further **ALLOYS** on demand

1 - FREE PASSAGE of BIG SOLIDS

Free passage up to 90% of the port : The recessed impeller assures the passage of solids and filamentous materials equal to 90% of the delivery branch diameter. (see technical tables) Long and filamentary solids pass through the pump without causing any clogging. Some examples: swarfs, grass and plant parts, textile fibres, bags, cords, bones and slaughtering parts, leather parts in the tannery industry, tomato with peels and stems, apples and other fruits, green leafy vegetable, onion and potatoes skins, feathers, straw, food remains, plastic or bottles parts, glass waste, wood parts and chips, waste water, etc..



2

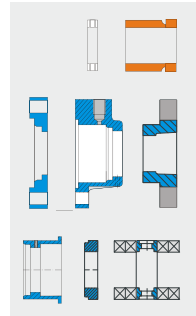
WEARING RESISTANCE

HIGHER ABRASION RESISTANCE: The pump casing has been designed to pump liquids together with suspended solids even if abrasive. Surface continuity avoids the presence of any clogging. All wearing point have been properly shaped.

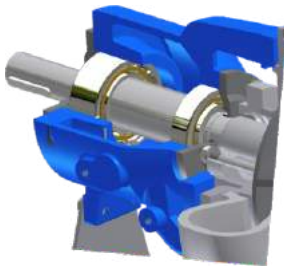
3- 1 CASING COVER, 14 seal systems



ONLY ONE CASING COVER EVERY SIZE. It can fit every seal type, brand and seal arrangement (see section 6). The seal chamber, which is cylindrical, has diameters bigger than those suggested by the rule, to grant the max. liquid circulation. Different seal seat types can be obtained using few components, so it is always possible to change from an execution to another one: for example from single mechanical seal to double mechanical seal or packing-gland or cartridge, just replacing some components. In this way it is easy to modify the pump for new plant requirements in a fast and cheap way. Besides, this modular system allows to have in stock only few spares to cover the whole pump range.



4- HEAVY DUTY BEARING

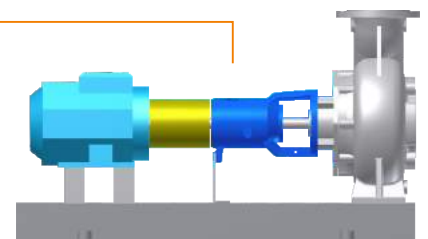
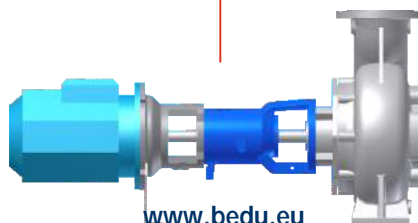
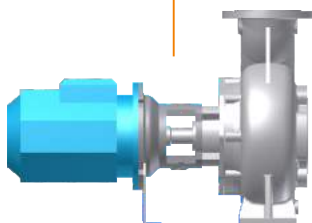
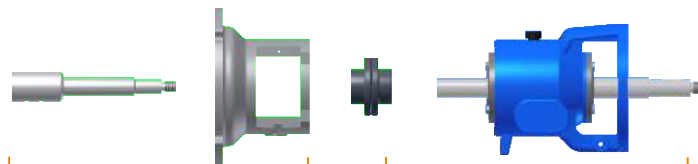


ISO 5199 - EN 25199

A UNIQUE BEARING HOUSING: The same bearing housing can be used for pumps with closed, open, channel, vortex impellers. Building according to EN 25199, which ensures shaft's deflection < 0,05 mm and min. 18.000 operation hours , has been designed also to balance axial and radial loads, to reduce working temperatures. Bearing housings are suitable to seat the heavy duty execution called «HD1» with ball bearings series 7000, combined with roller bearings. The series also include bigger bearing housings to work up to 100.000 hours.

5- MODULAR EXECUTION

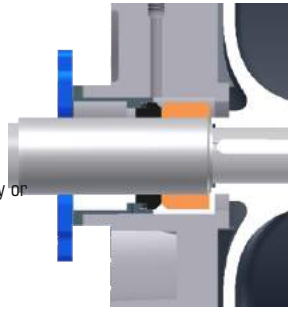
EASY MAINTENANCE: to build the whole pumps range (close-coupled, lantern bracket and on base plate execution) are necessary just 3 bearing housings and 6 lanterns . Oversized base-plates grant high stability; the lantern bracket execution avoids problems related to misalignment between pump and motor.



6- SEALS: one chamber, all seal systems

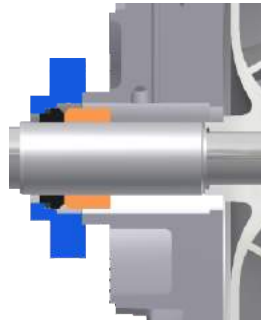
U single seal close to the impeller - standard

Single seal for dirty or viscous liquids. its position, close to the impeller, facilitates lubrication.
STANDARD for RC type



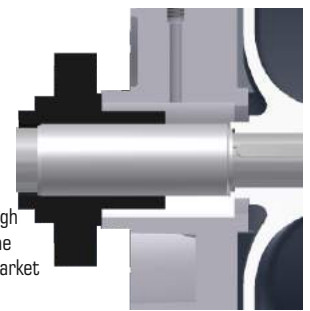
M single seal

Self lubricated single mechanical seal PLAN 02



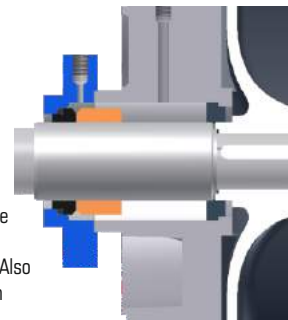
K cartridge seal

Standard seal chamber is big enough to seat almost all the cartridges on the market



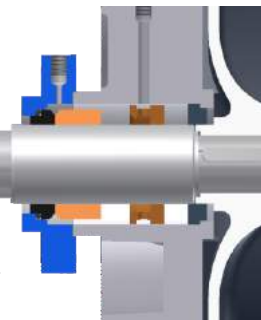
A single seal + bottom ring

To use combined with PLAN 11 from the discharge or PLAN 32 from external circuit. Also available «E» execution without bottom ring.



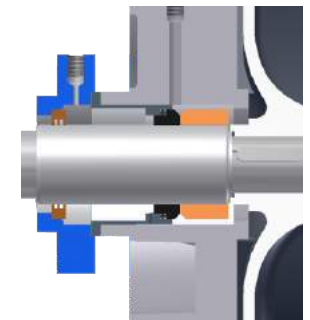
T single seal + pumping ring + bottom ring

To use with hot or over-heated liquids and in combination with external heat exchanger. PLAN 23



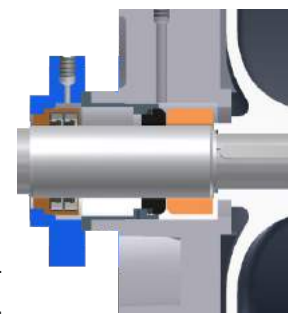
Q single seal + quench

Quench mainly used for steam barrier



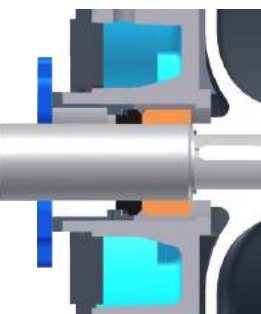
W single seal + self lubric. lip seal quench

combined seal, for dry running without auxiliary liquids or for discontinuous flushing. Safety barrier for hazardous liquids or Atex



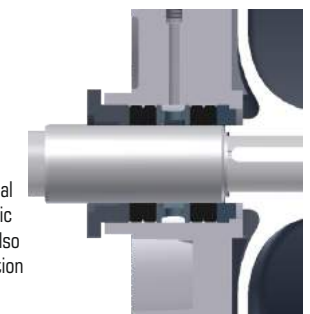
H heating / cooling chamber

The heating or cooling chamber can be easily installed on all RC pumps



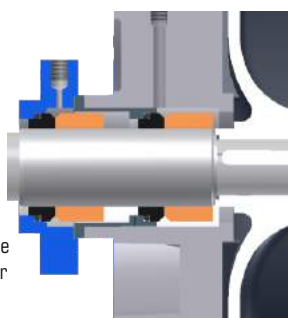
S gland packing with hydraulic barrier

gland packing seal with barrier hydraulic ring and flushing. Also available «B» execution without ring.



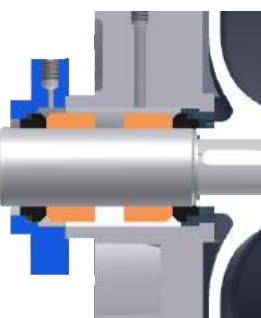
L double tandem mechanical seal

double tandem mechanical seal. PLAN 52. Also available washing connection for the pump side seal.



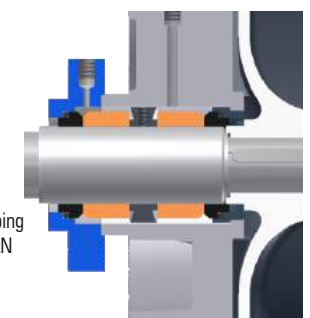
C double back to back mechanical seal

double back to back seal. PLAN 53 - PLAN 54



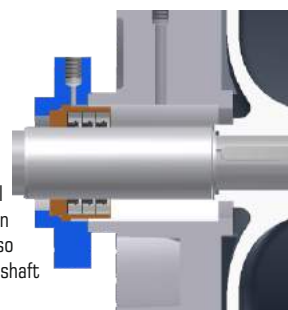
P double back to back seal + pumping ring

double back to back seal with pumping ring. PLAN 53 - PLAN 54



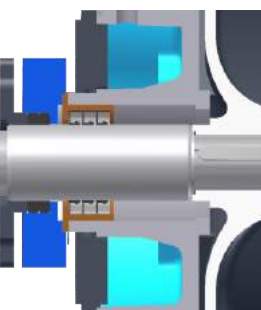
V self lubricated lip seal

self-lubricated seal rings available for clean and viscous liquids. Also suitable on ceramized shaft sleeve.

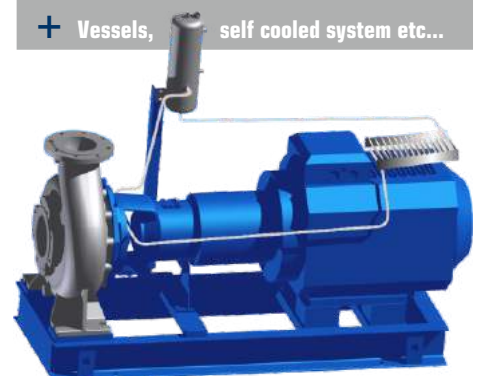


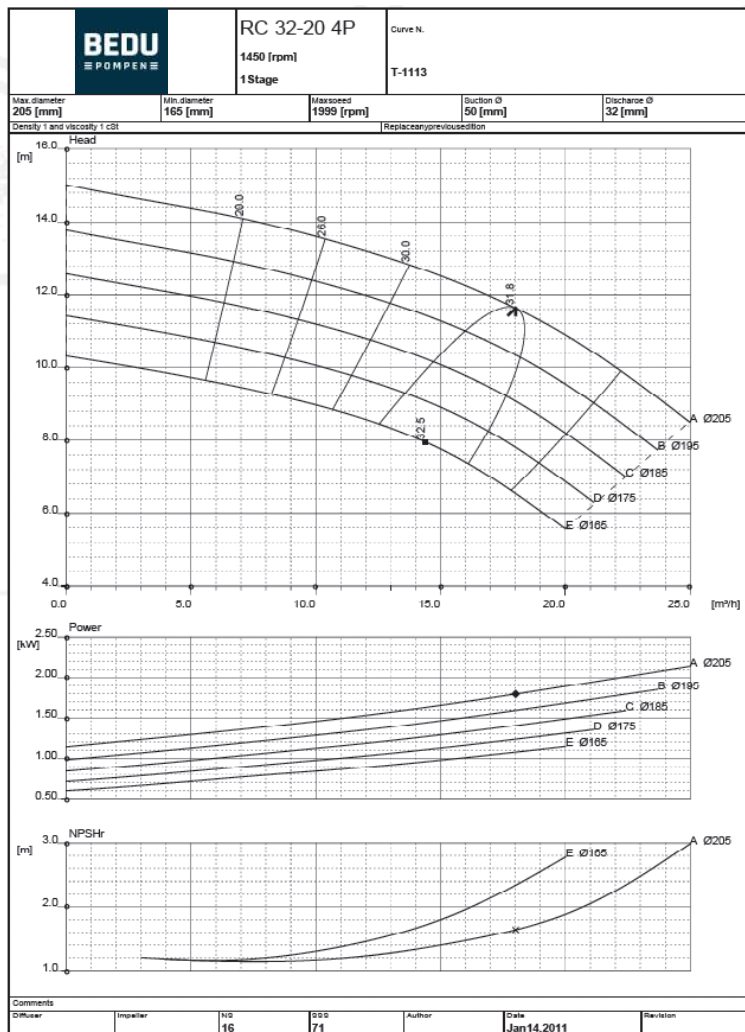
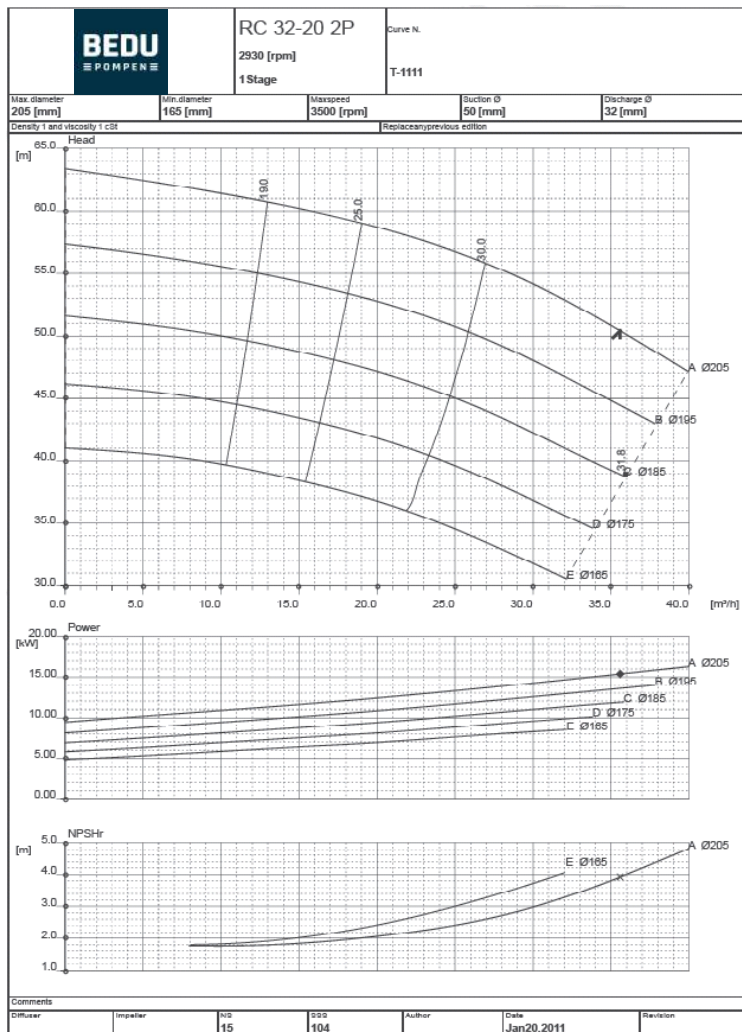
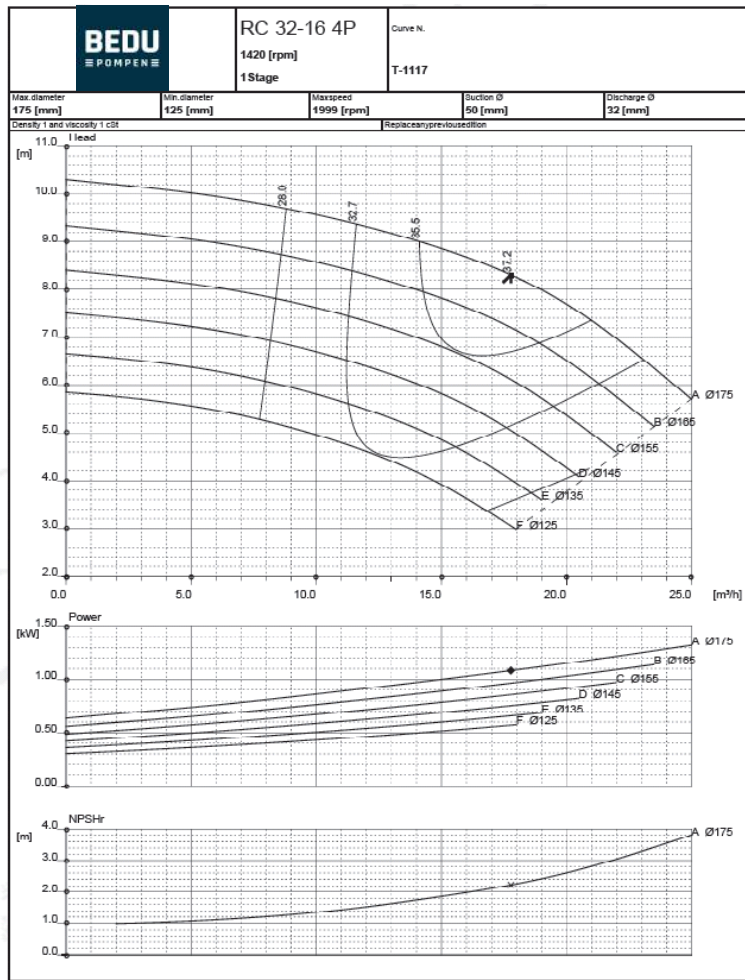
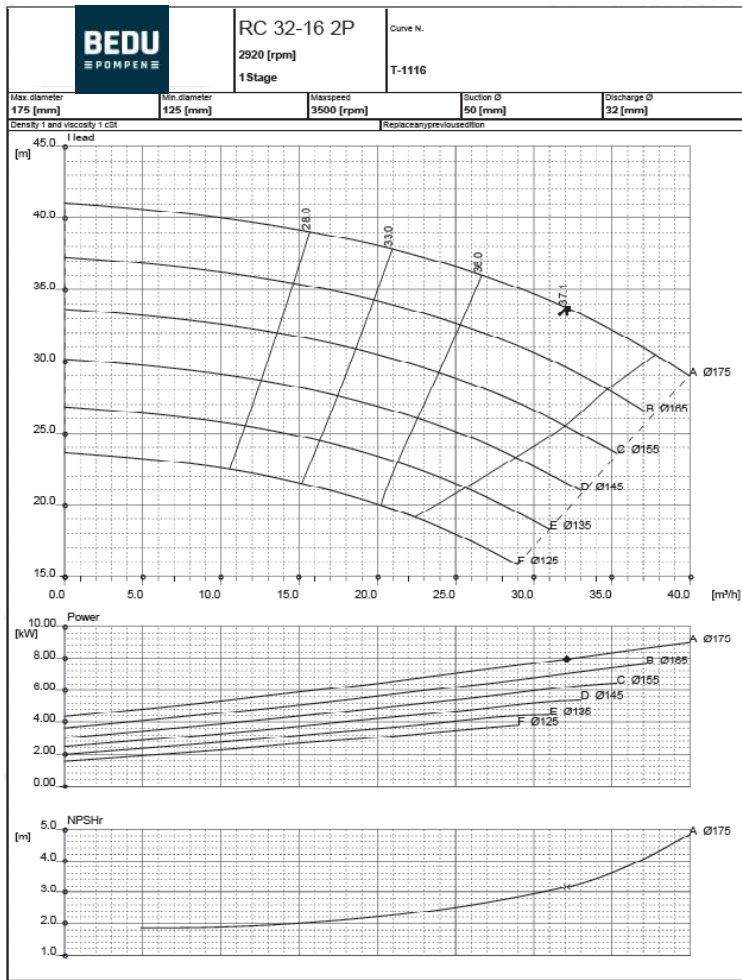
J lip seal + quench + heating chamb.

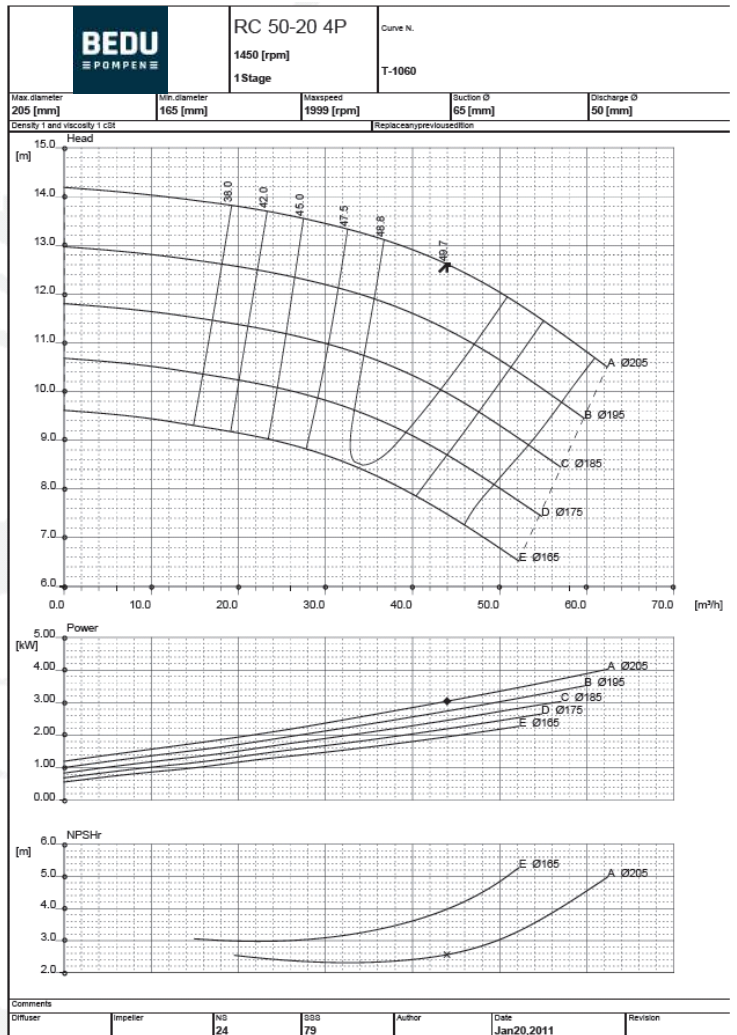
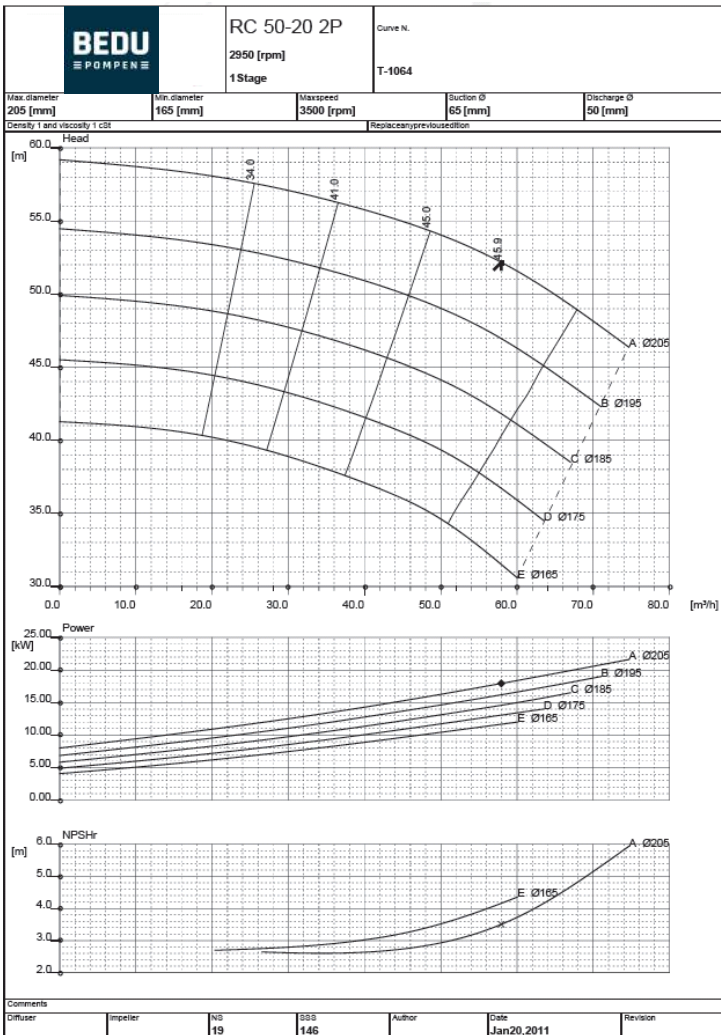
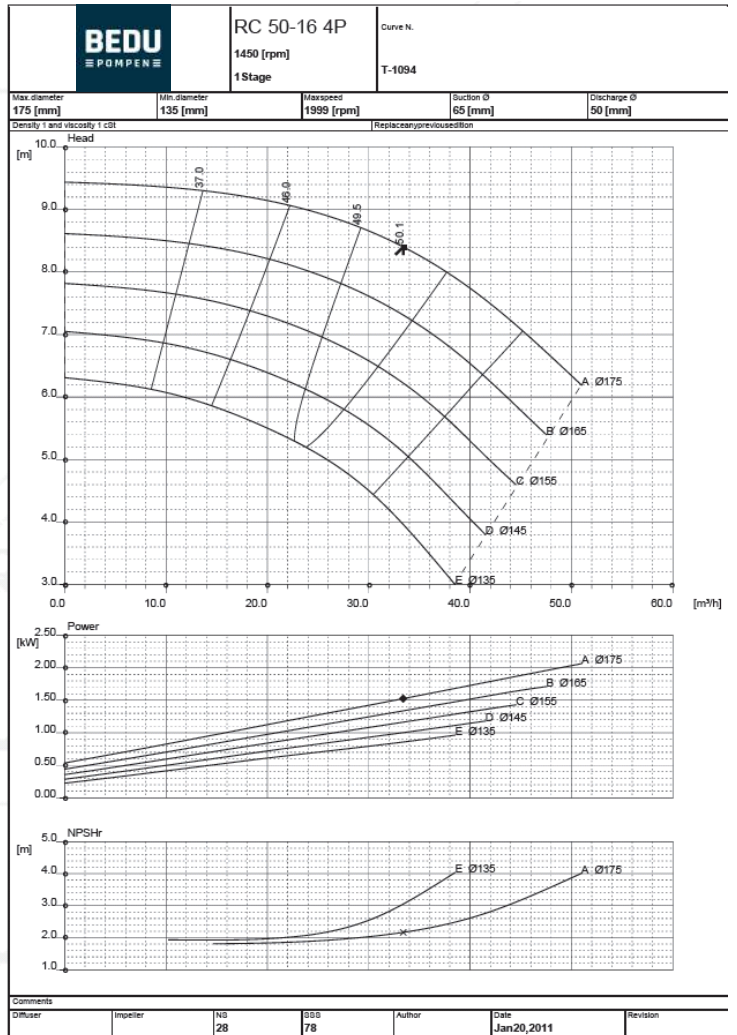
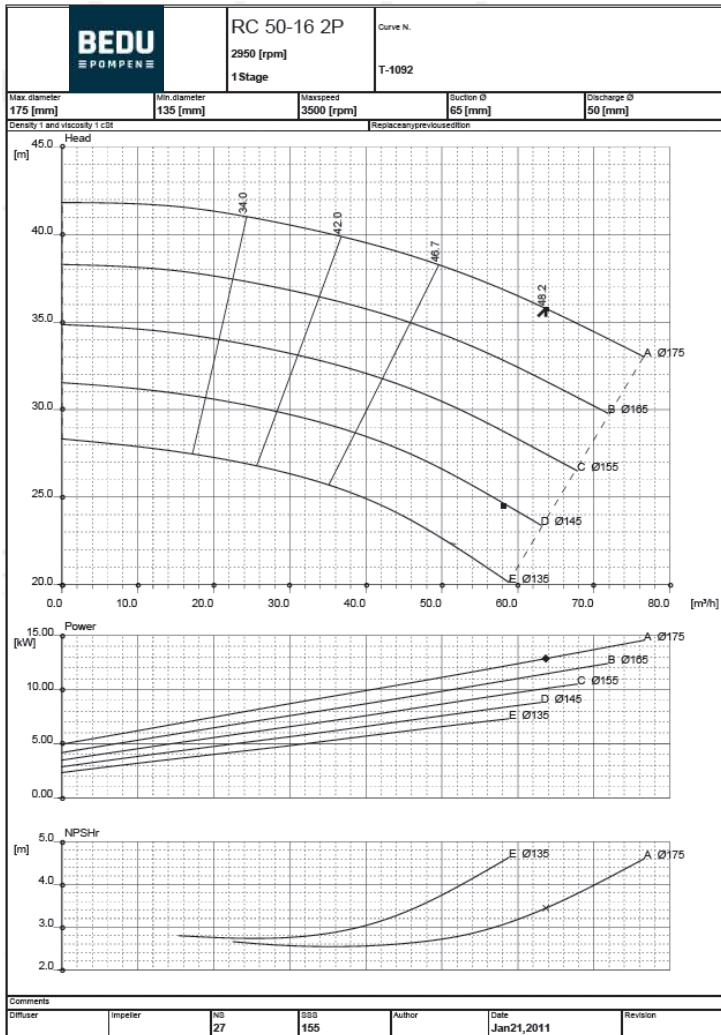
as «V» type, but with safety gland packing quench and heating chamber.

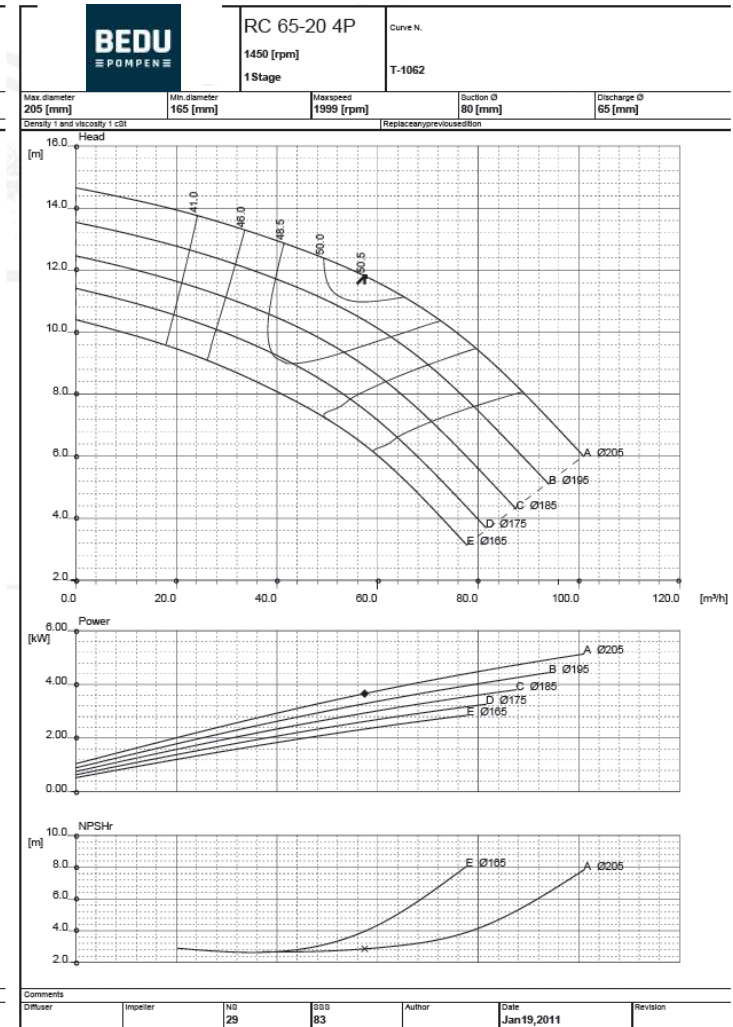
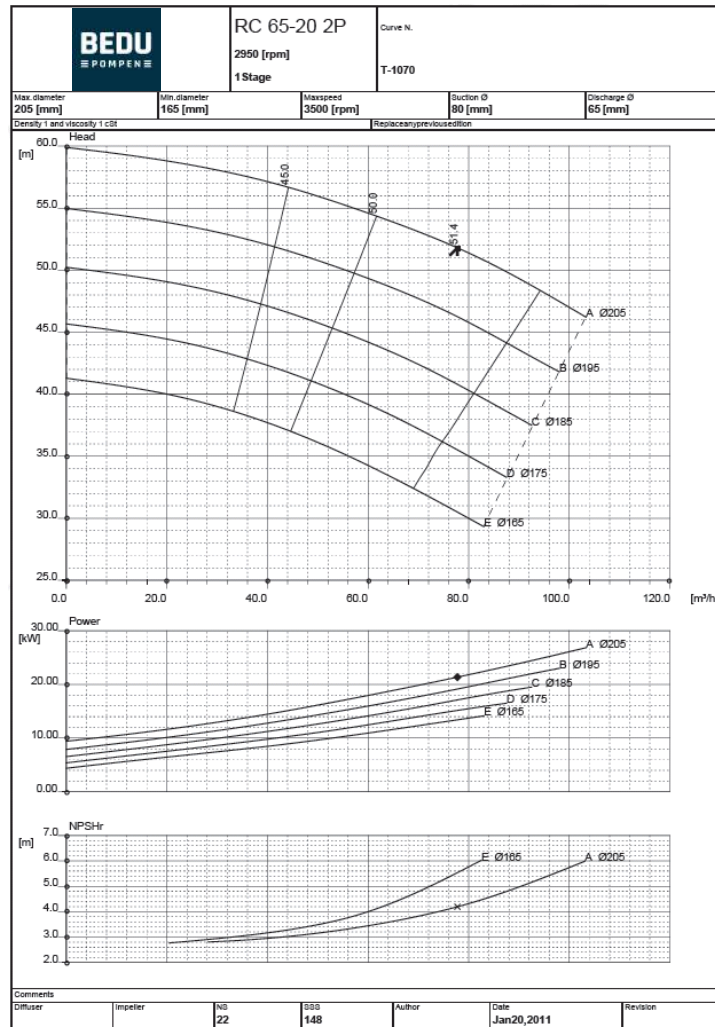
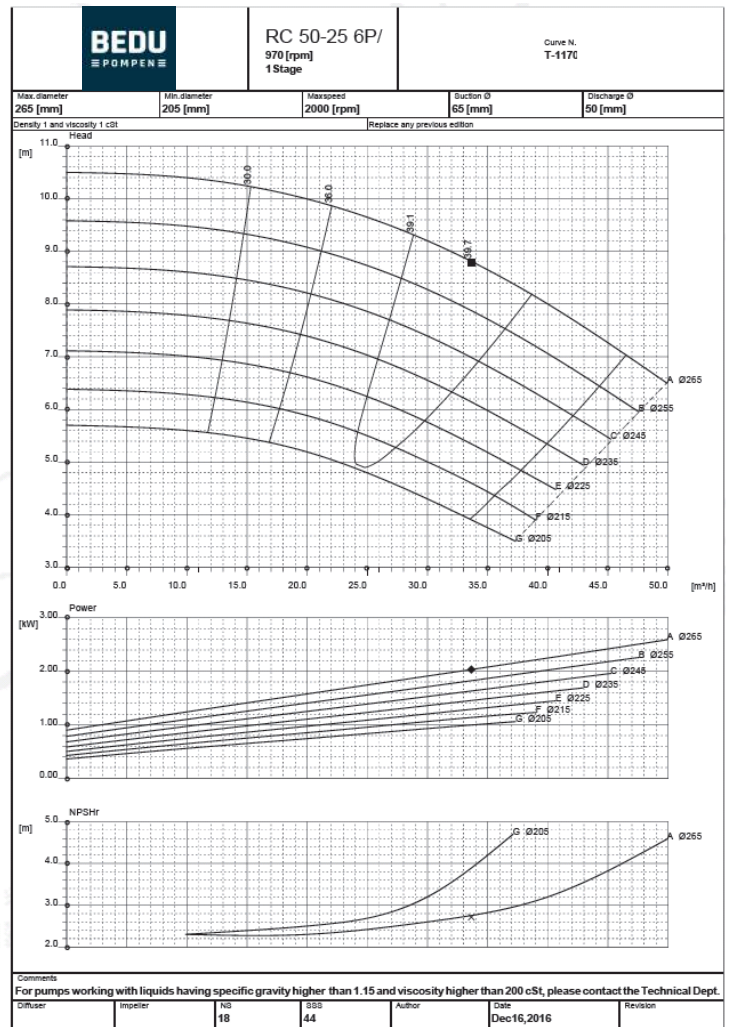
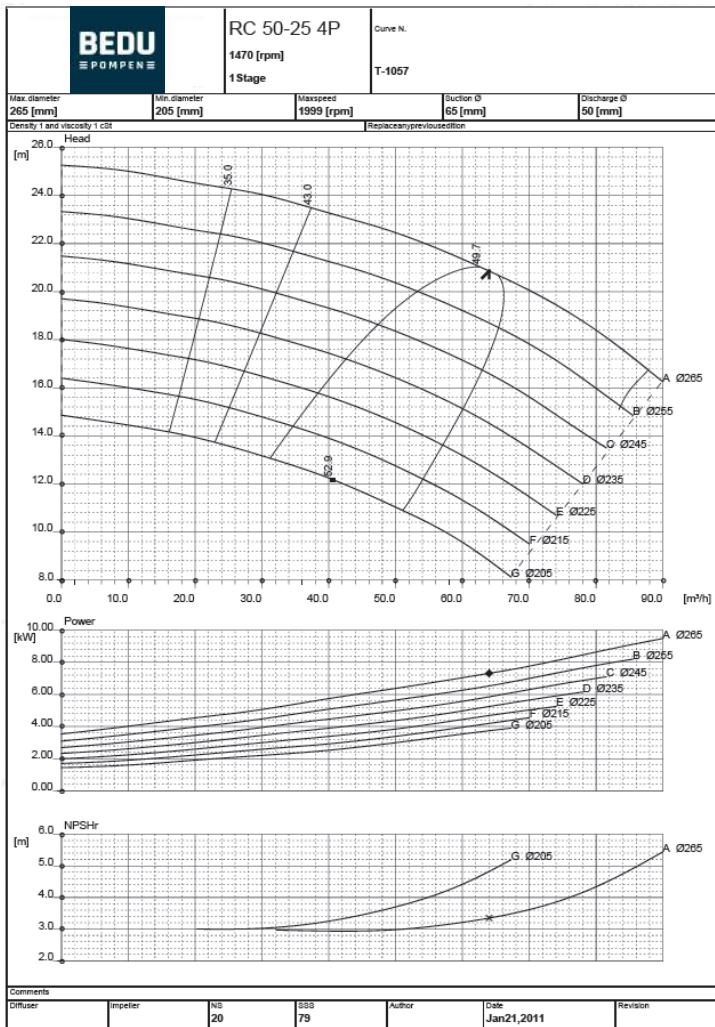


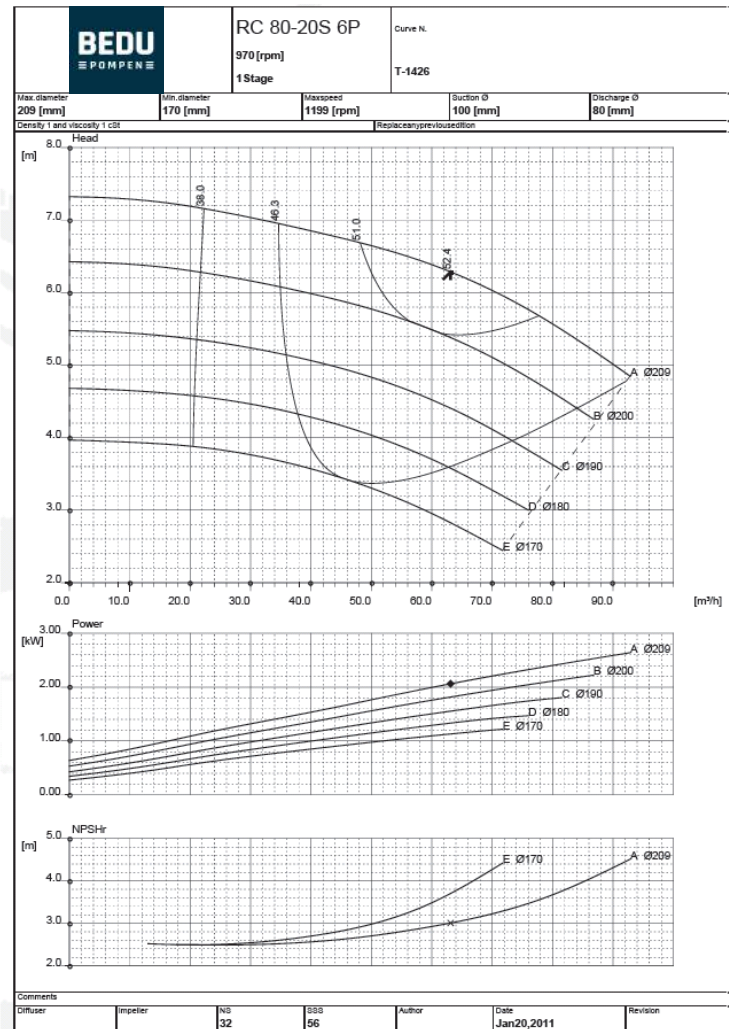
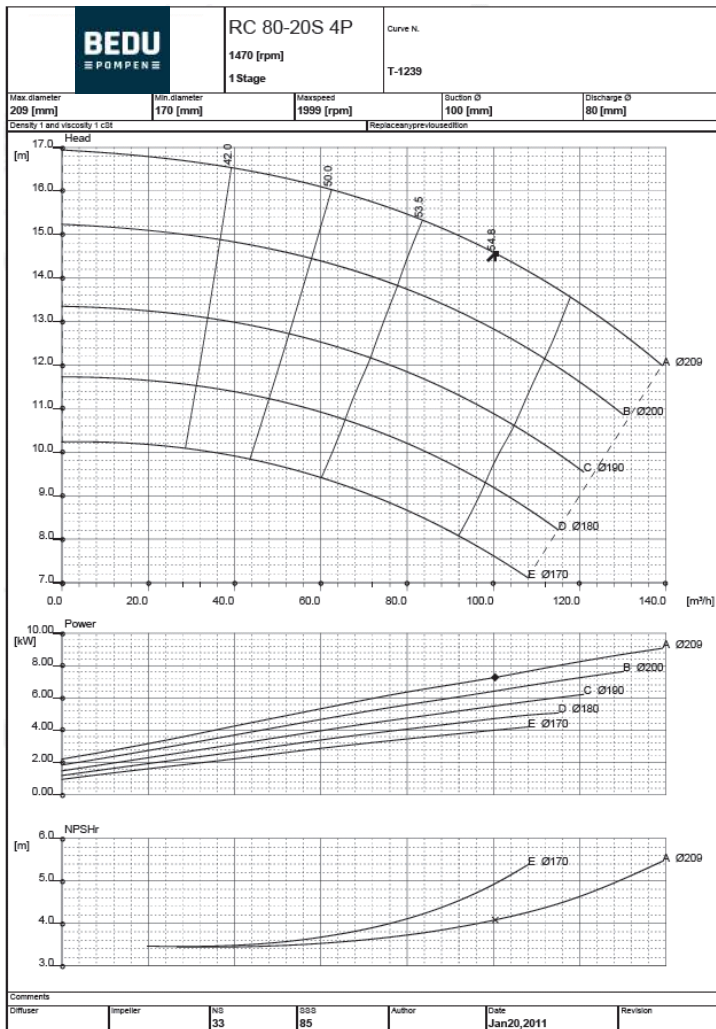
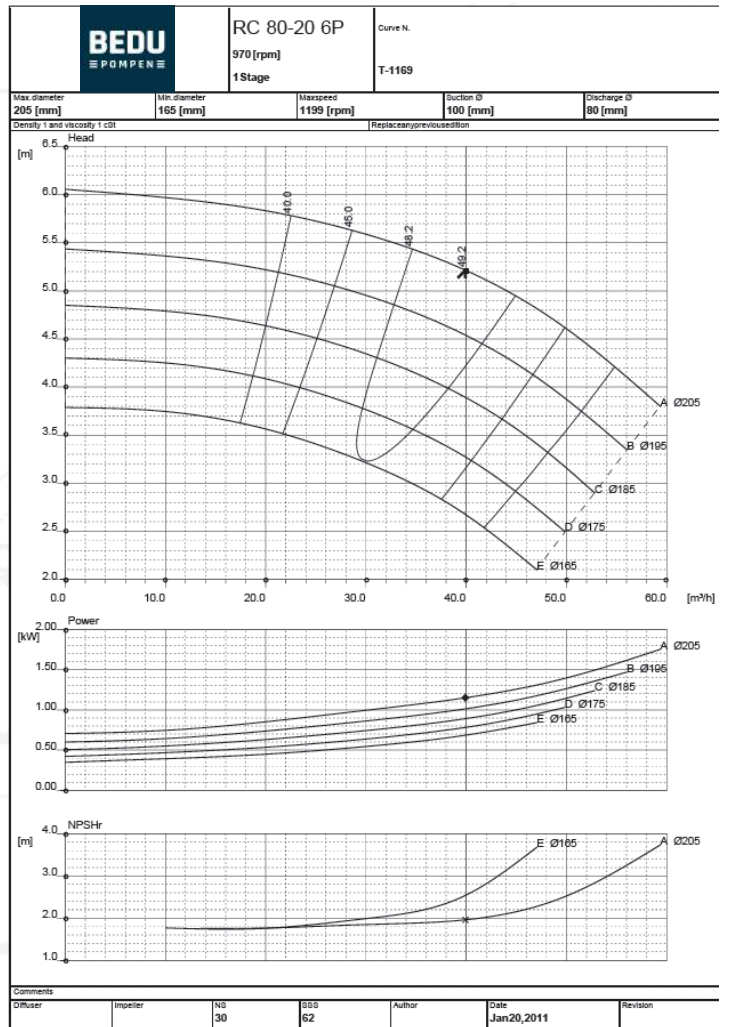
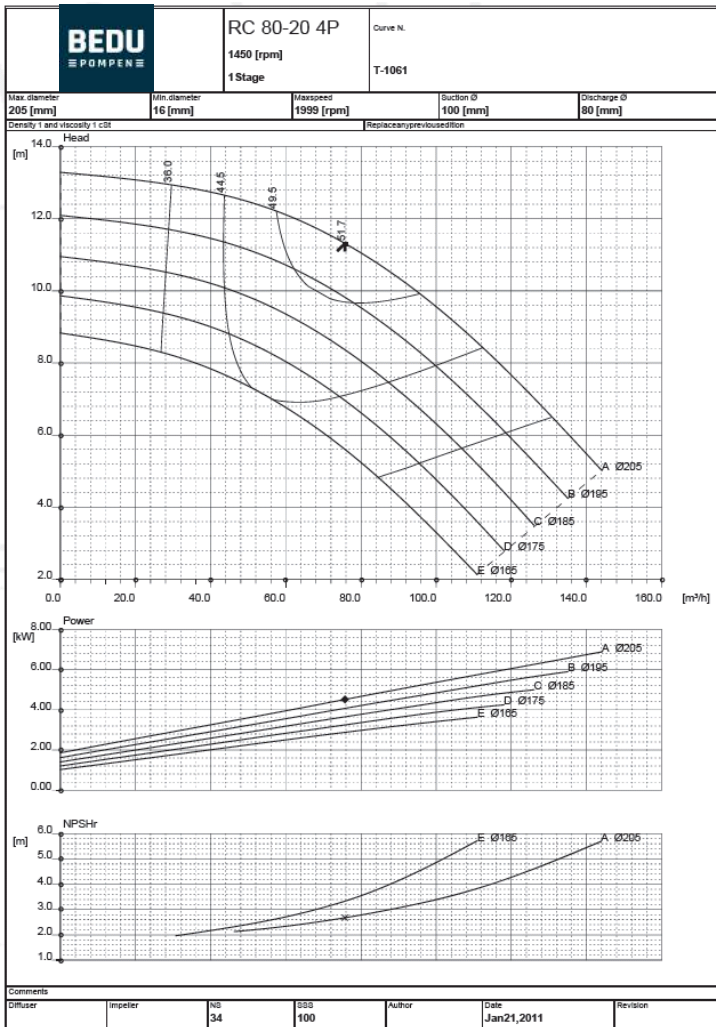
+ Vessels, self cooled system etc...

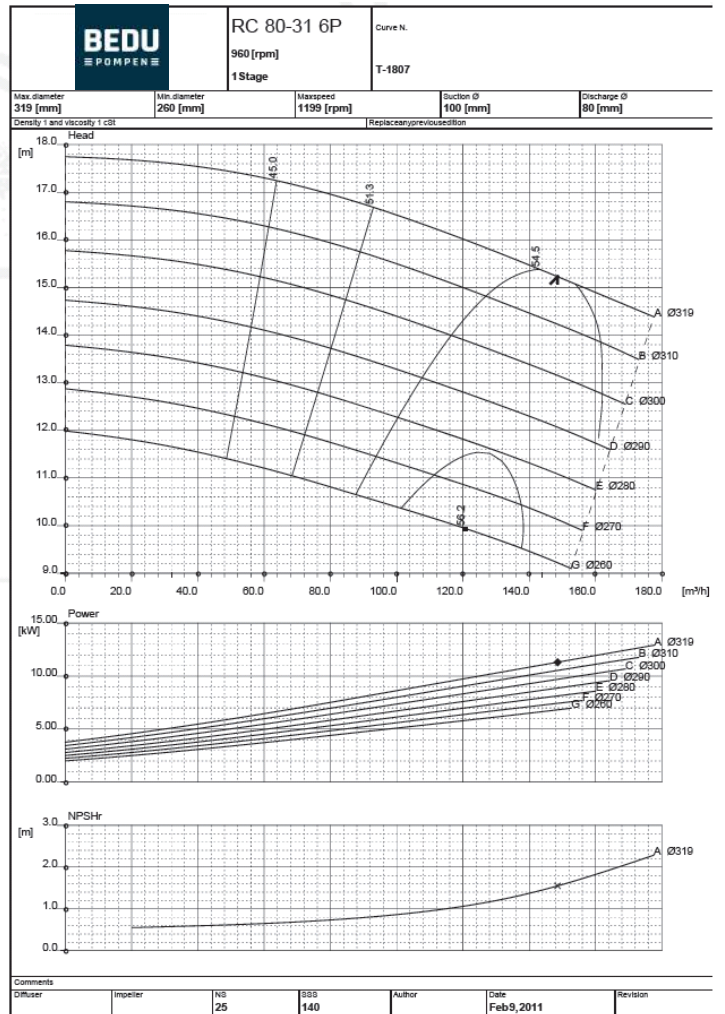
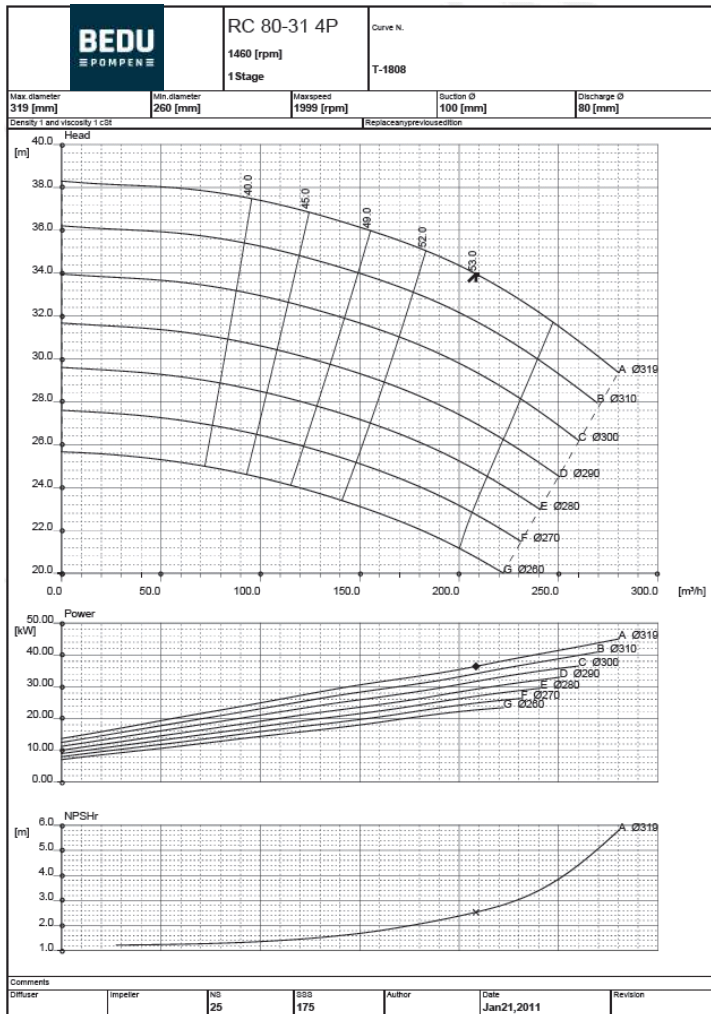
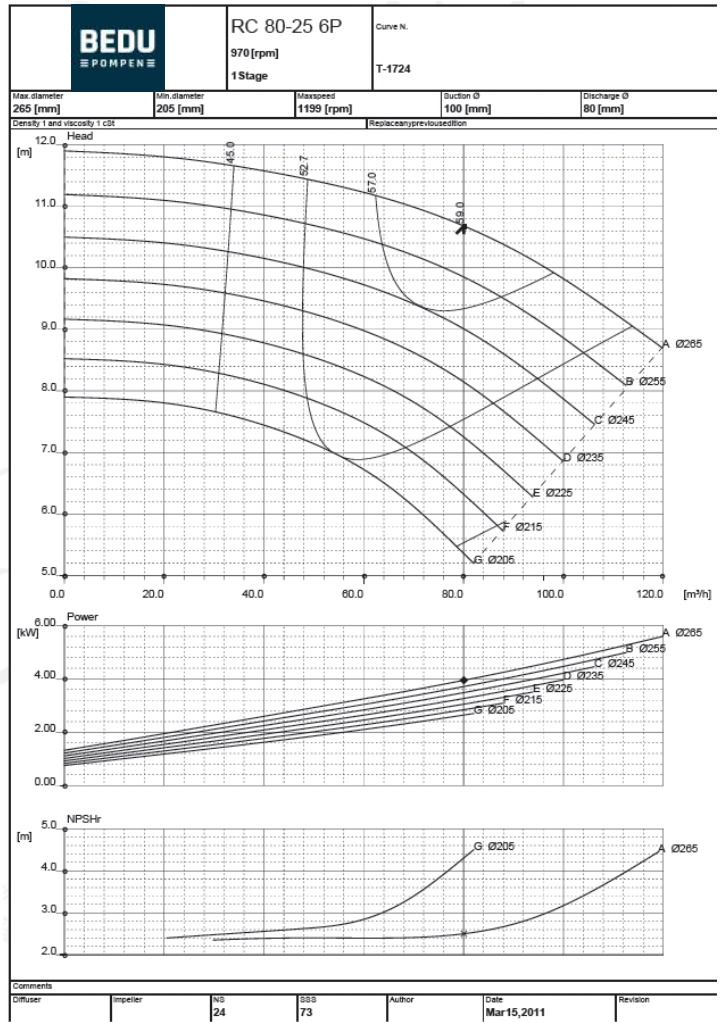
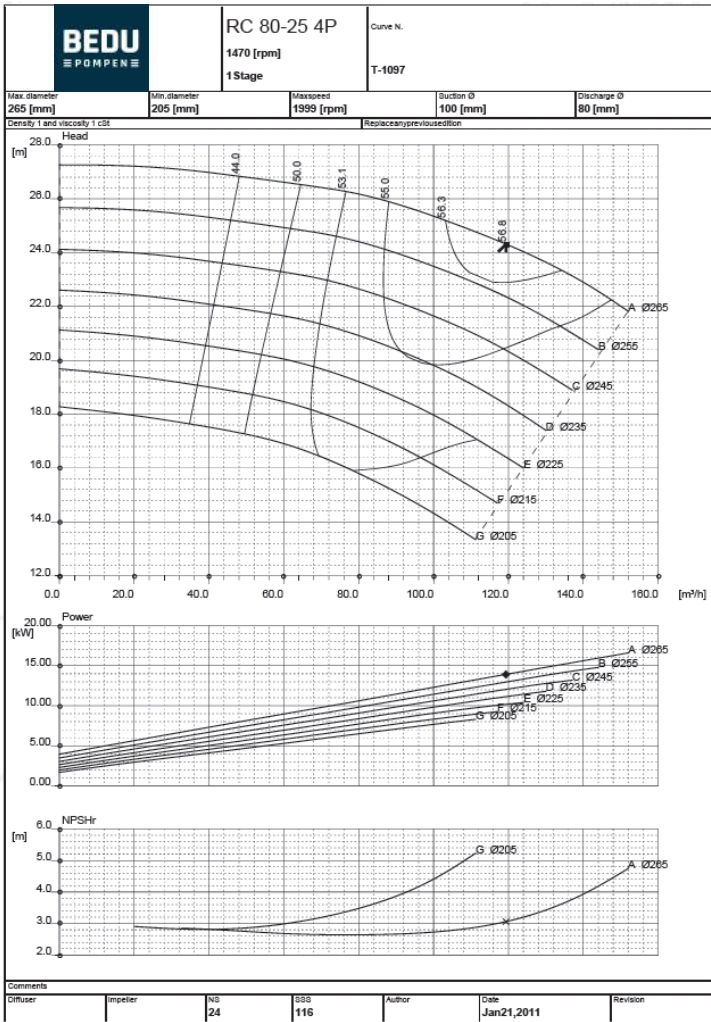


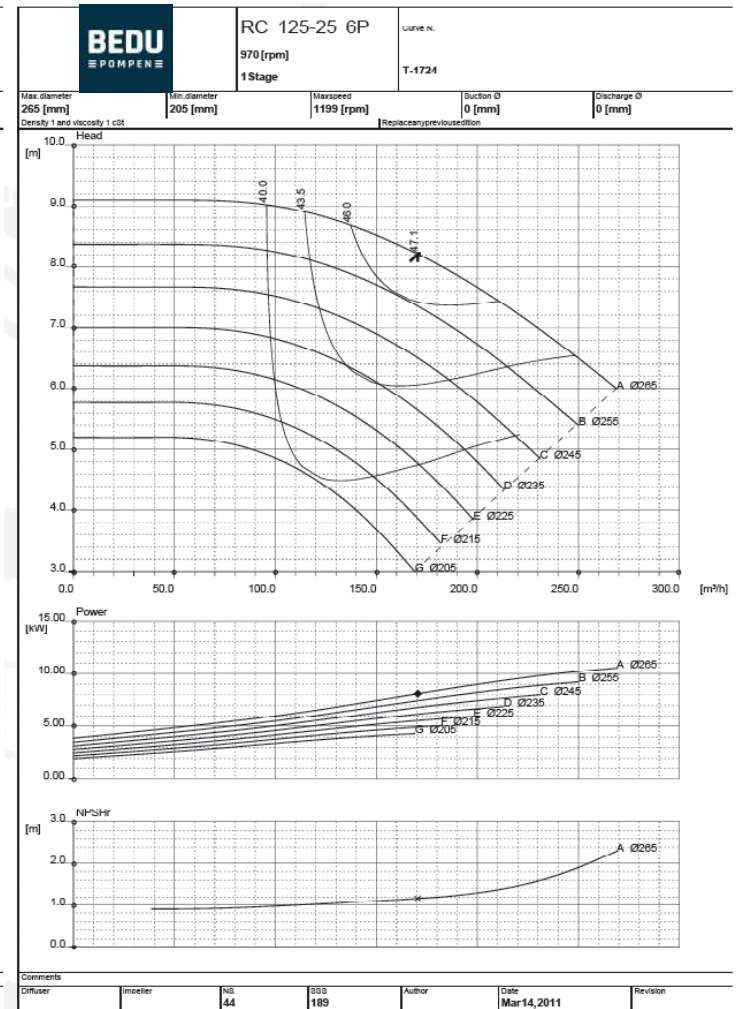
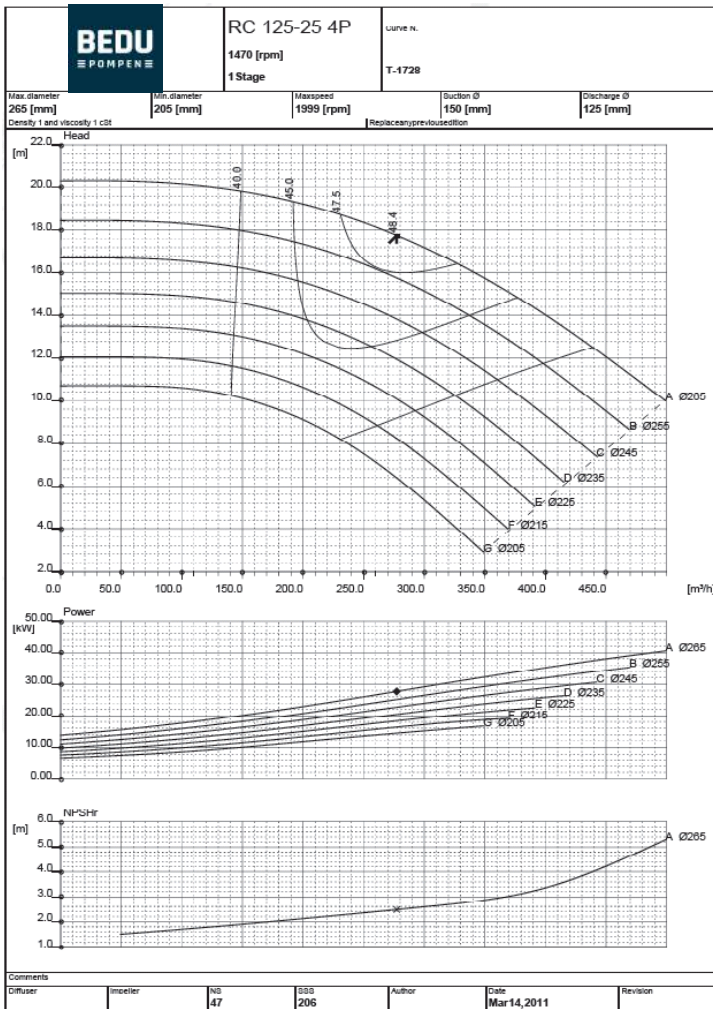
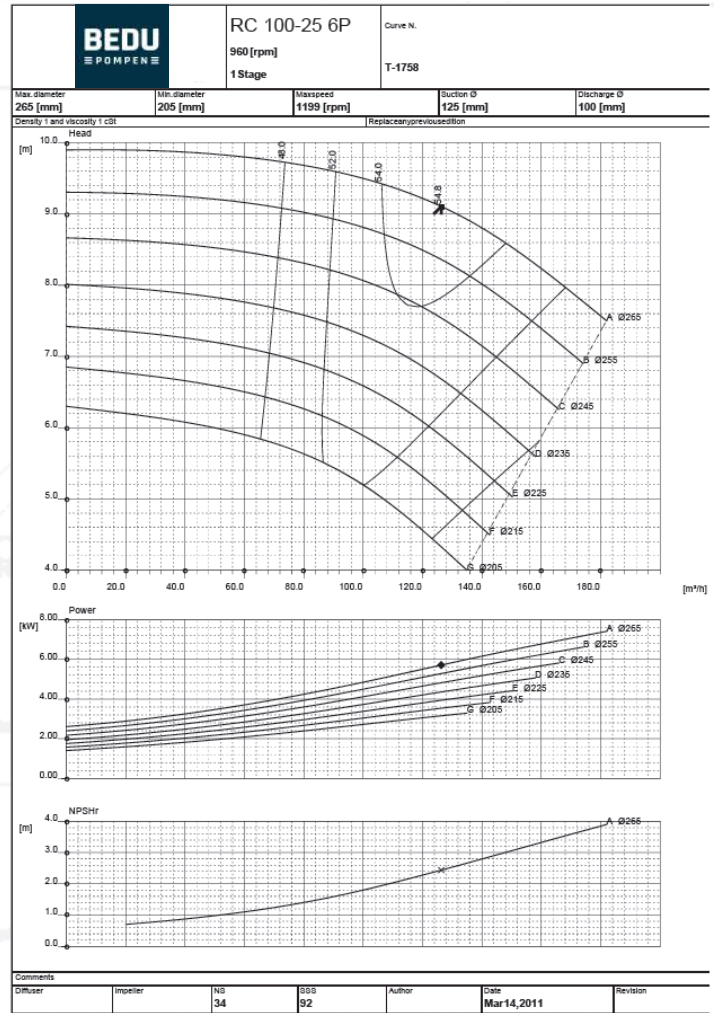
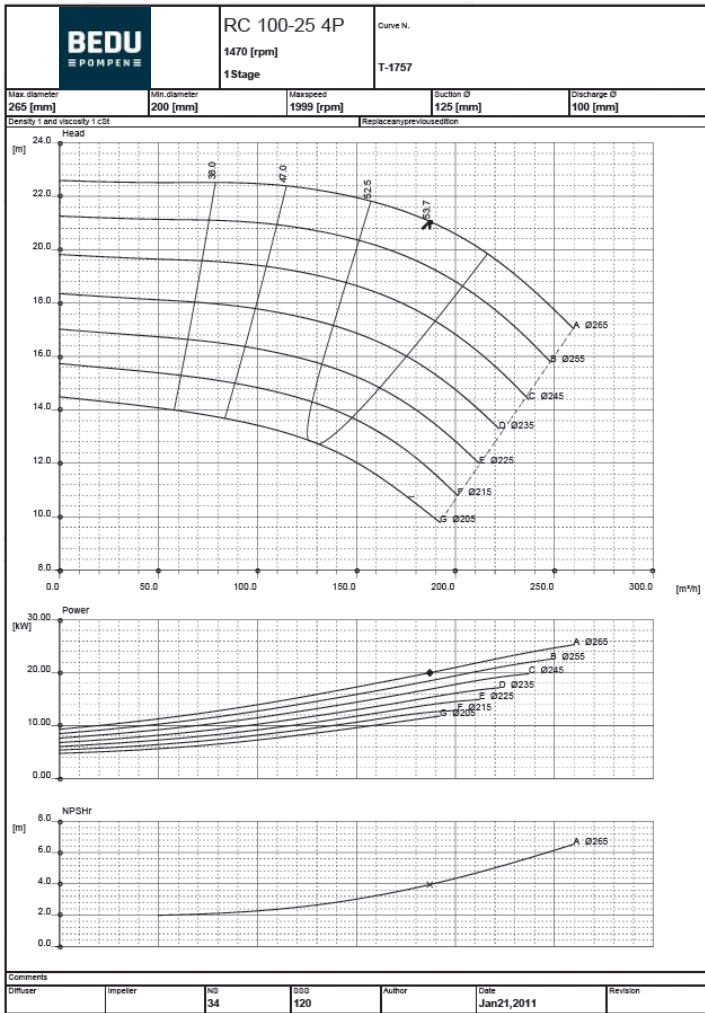


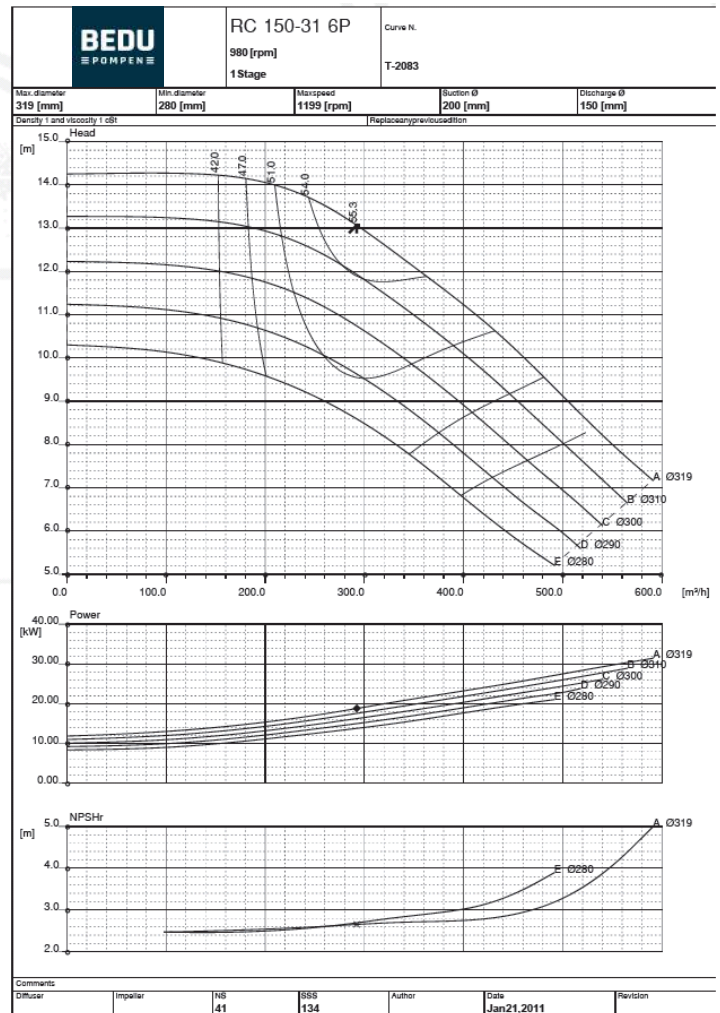
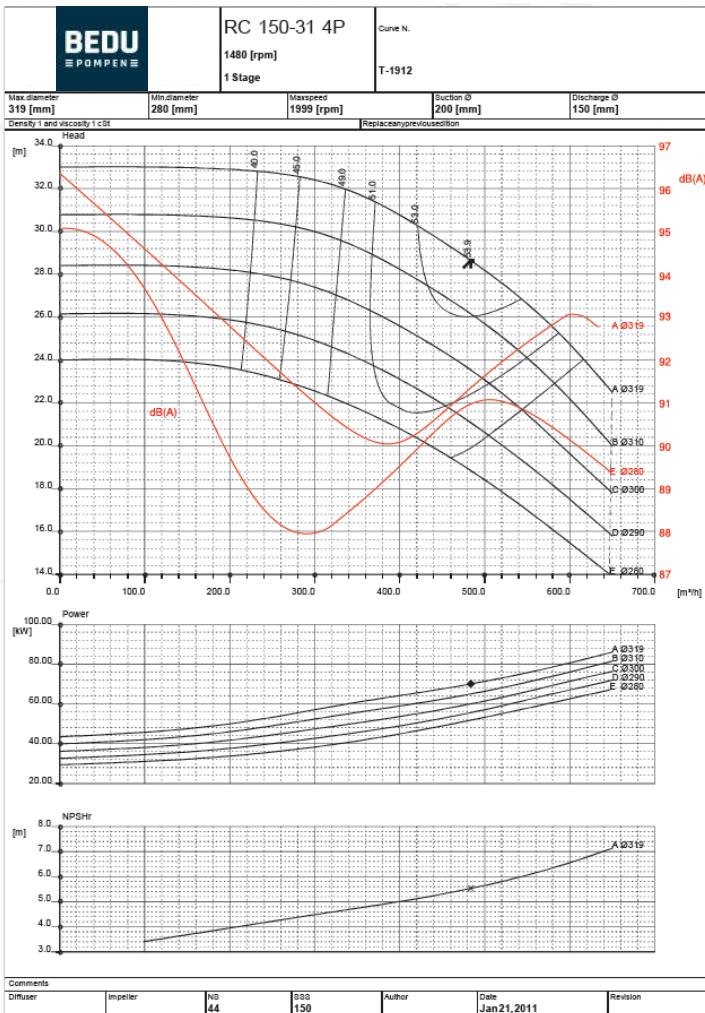
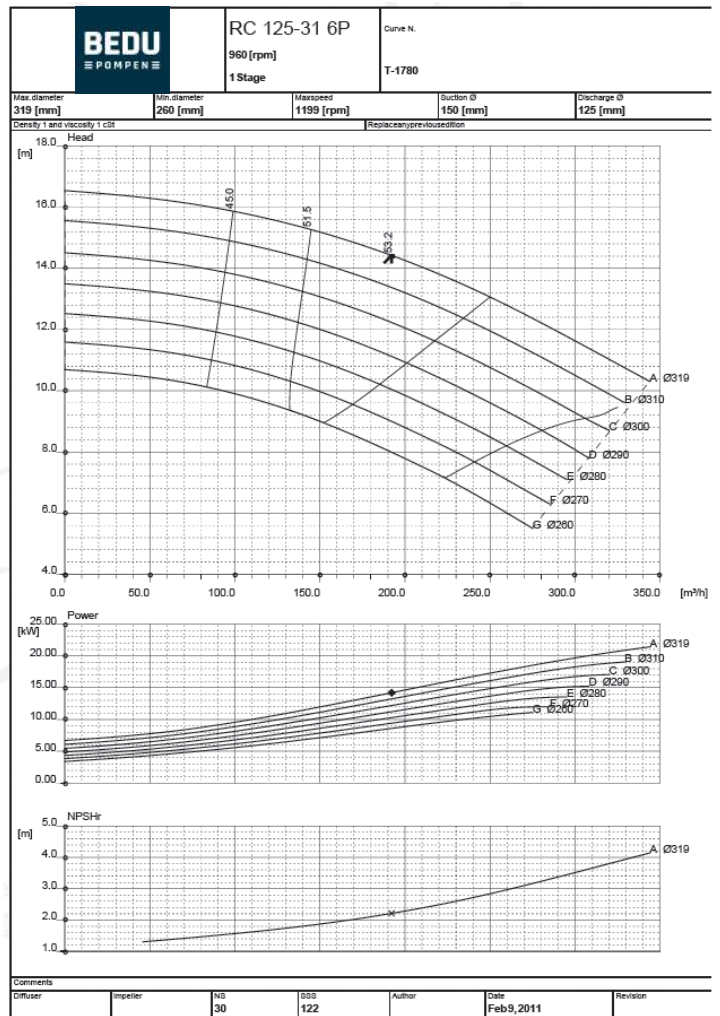
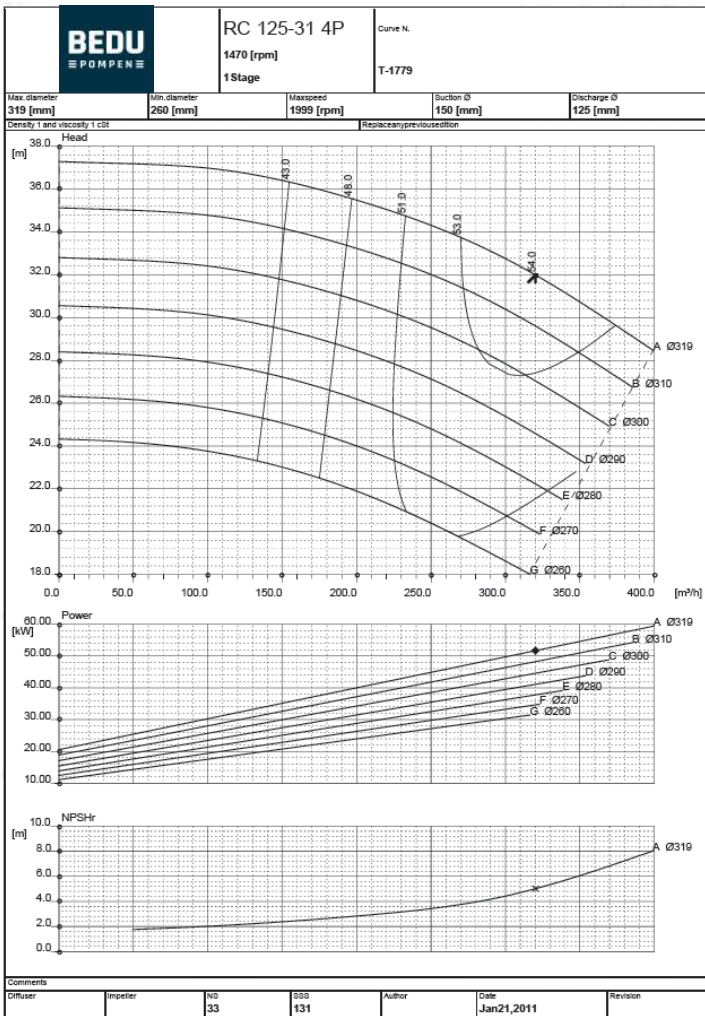


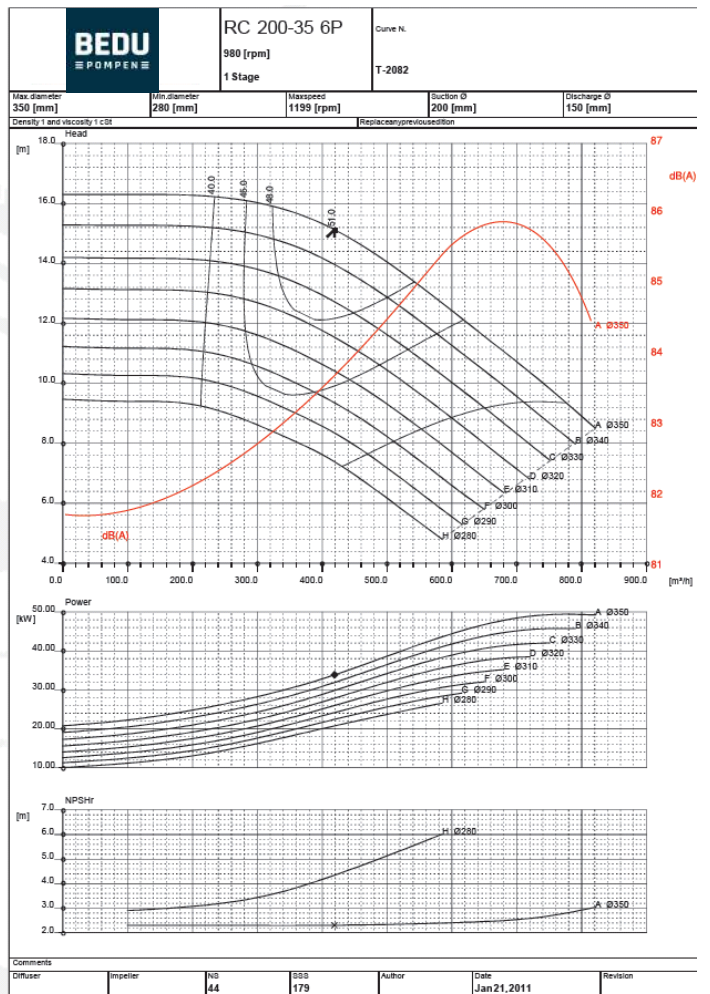
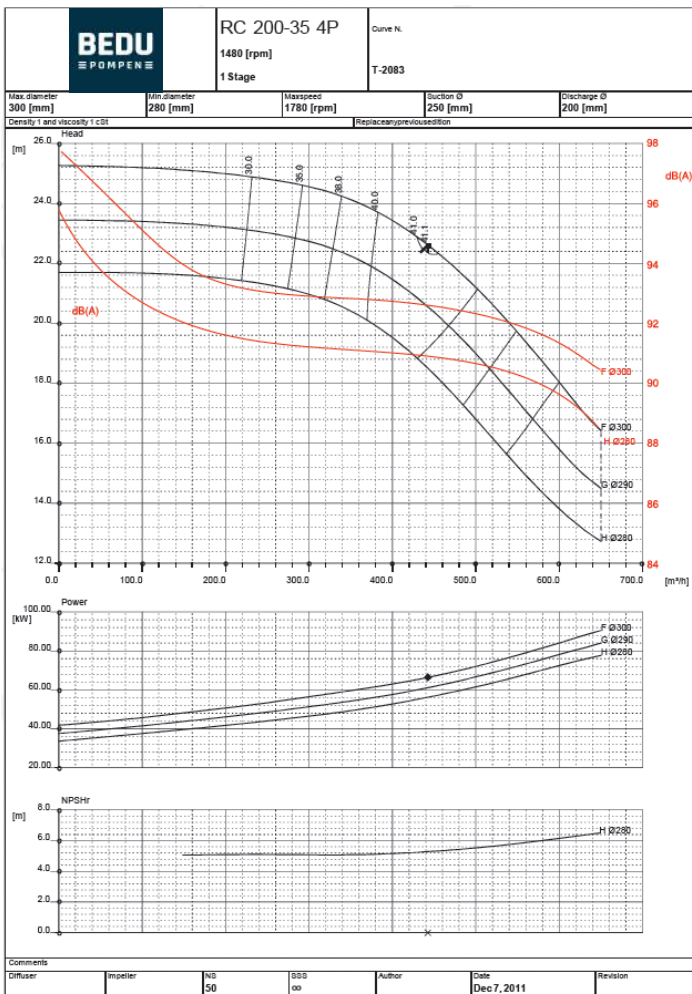
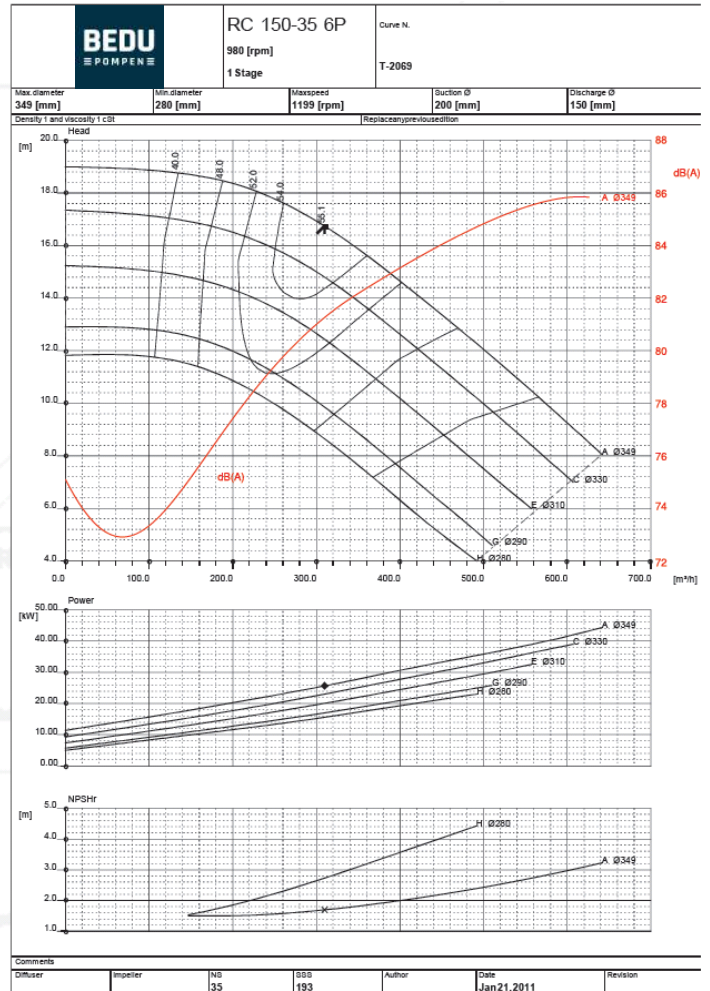
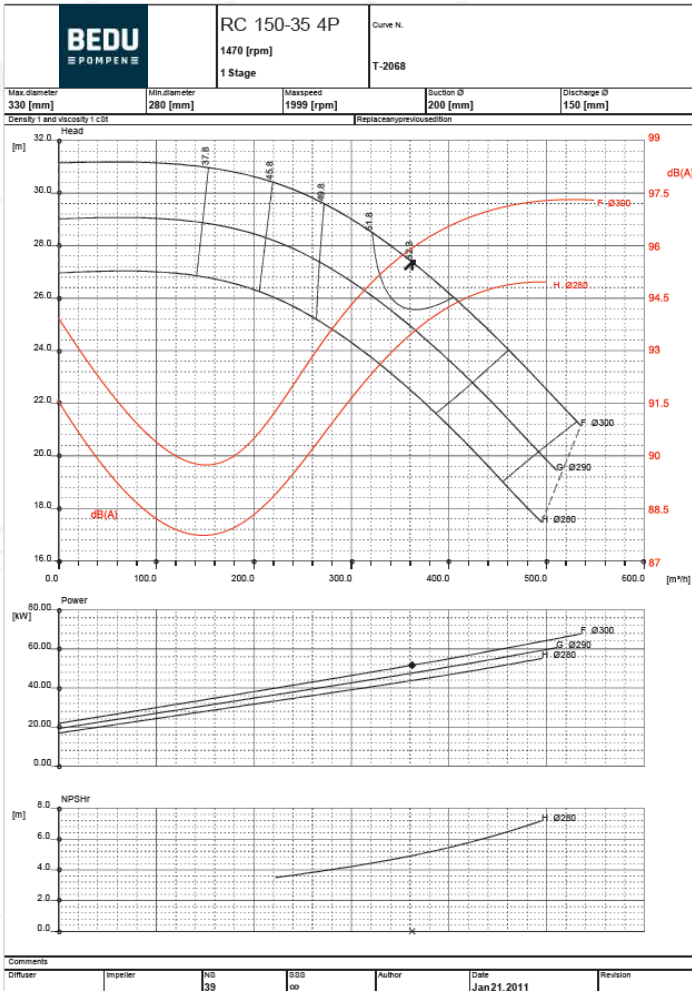


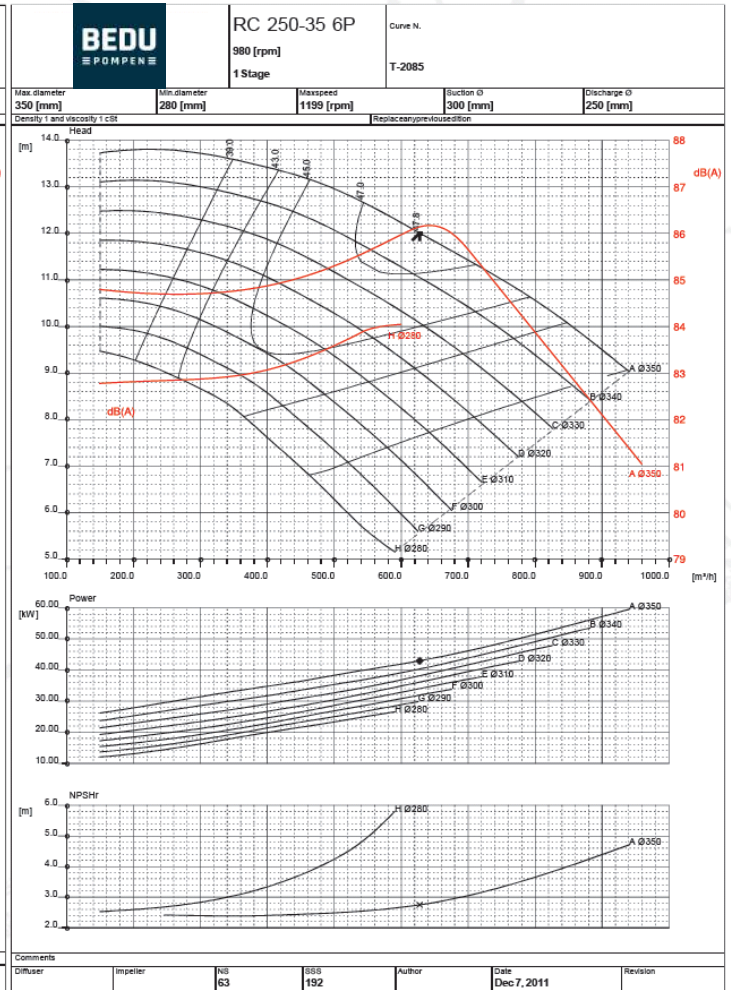
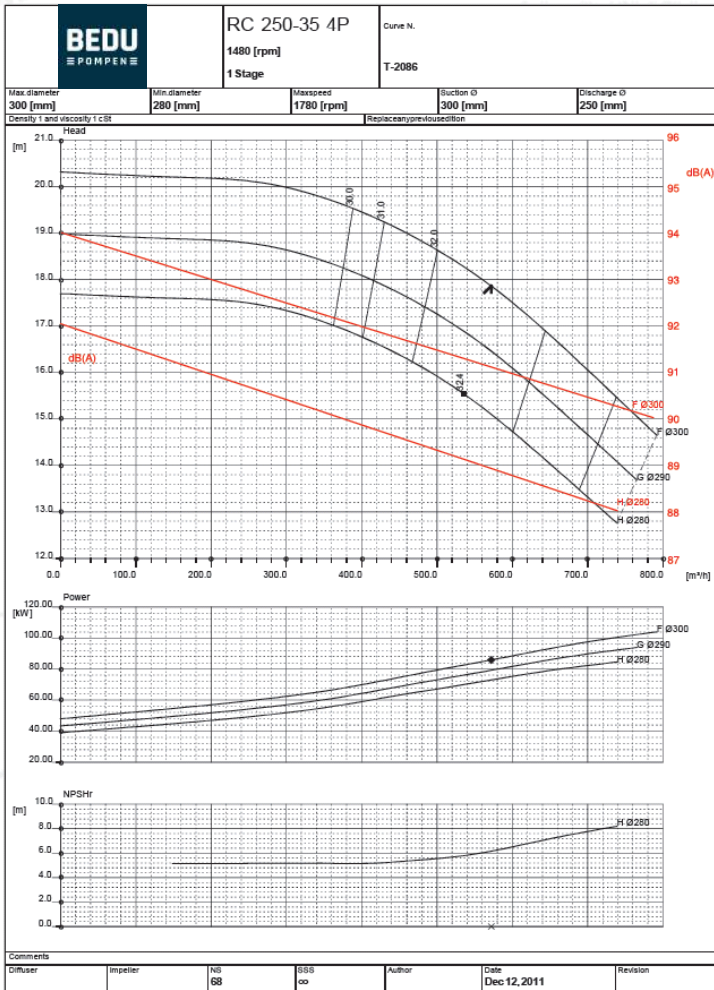






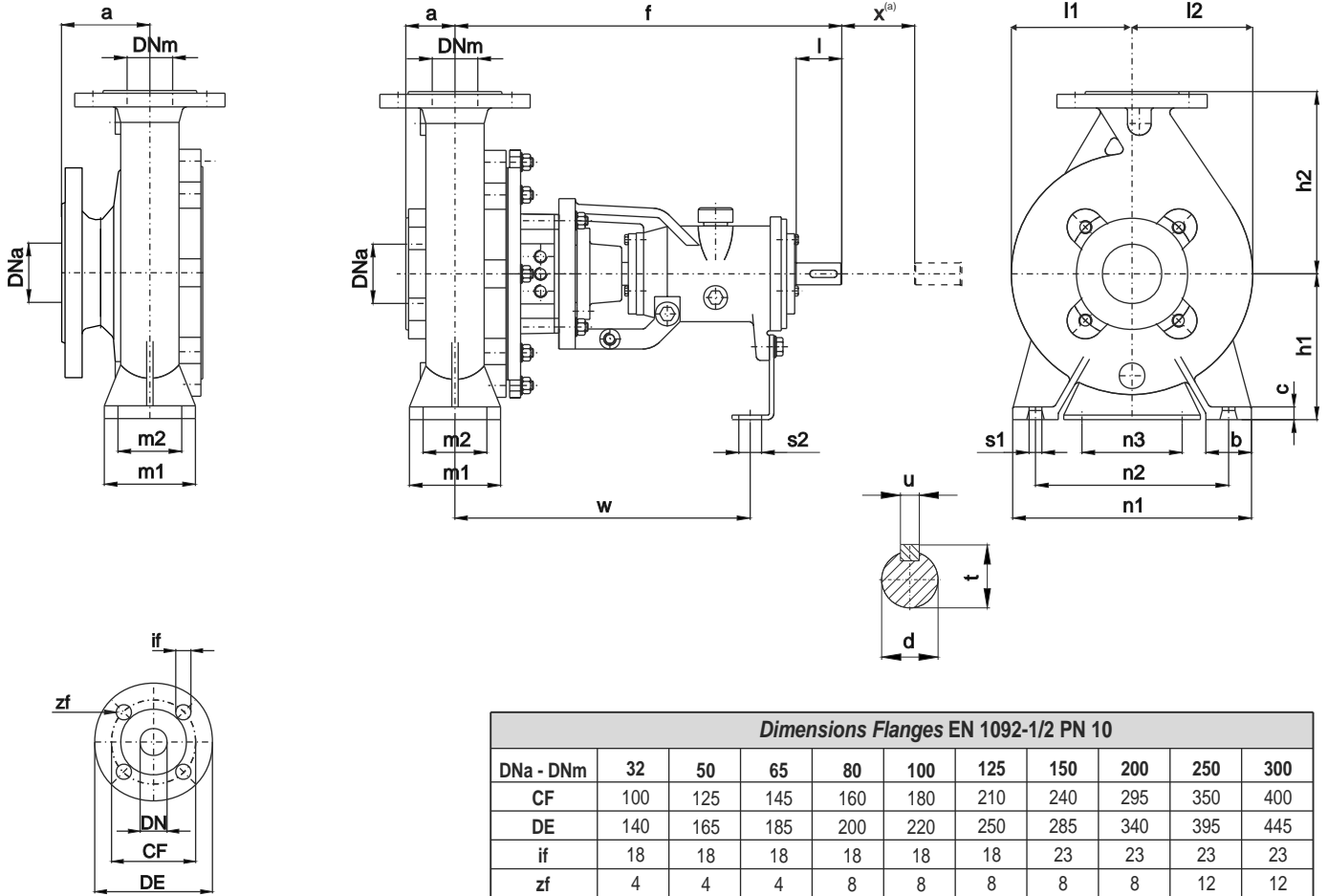






only size :
150-35, 200-35, 250-35

Size :
32-16, 32-20, 50-16, 50-20, 50-25, 65-20,
80-20, 80-20S, 80-25, 100-25, 125-25, 125-31, 125-40, 150-31



Dimensions Flanges EN 1092-1/2 PN 10

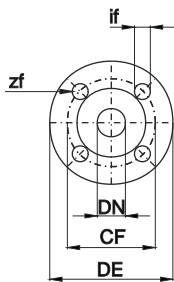
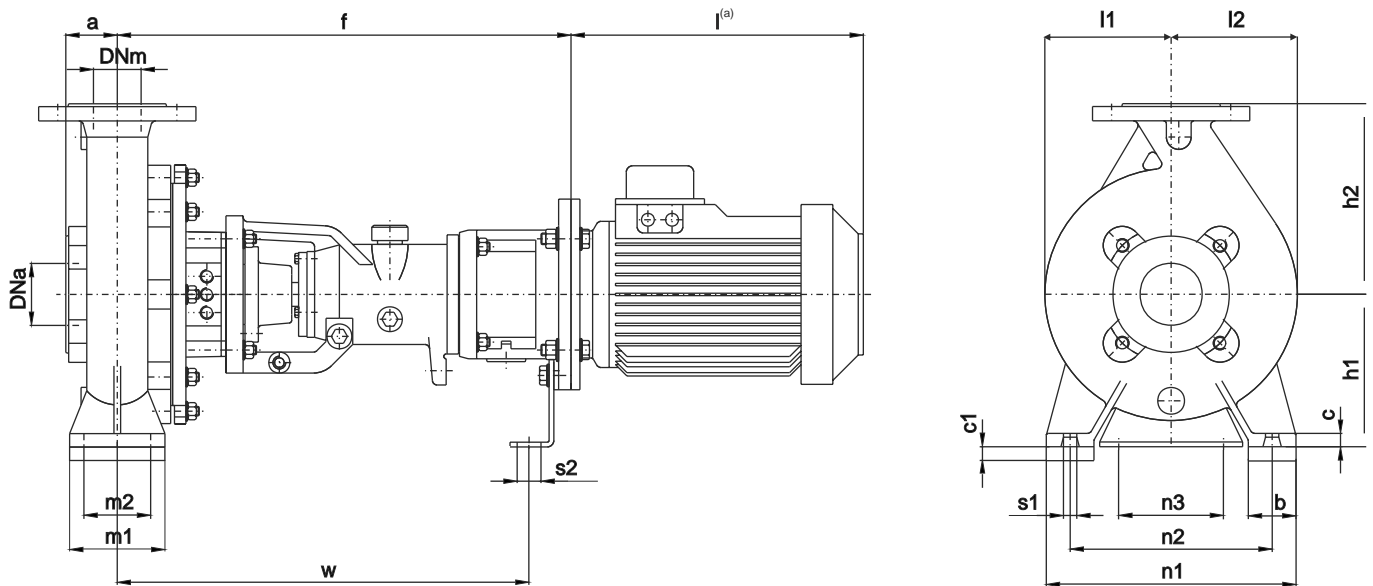
DNa - DNm	32	50	65	80	100	125	150	200	250	300
CF	100	125	145	160	180	210	240	295	350	400
DE	140	165	185	200	220	250	285	340	395	445
if	18	18	18	18	18	18	23	23	23	23
zf	4	4	4	8	8	8	8	8	12	12

Pump size	Bearing Housing	DIMENSIONS [mm]																							Weight [kg]	
		Pump					Feet							Shaft												
		Dna	Dnm	a	f	h1	h2	b	c	m1	m2	n1	n2	n3	s1	s2	w	d	l	t	u	l1	l2	x ^(a)		T ^(b)
32-16	25	50	32	48	418	132	160	50	14	100	70	240	190	110	14	14	317	24	50	27	8	114	114	100	566	33
32-20	25	50	32	48	418	160	180	50	14	100	70	240	190	110	14	14	317	24	50	27	8	135,5	135,5	100	566	39
50-16	25	65	50	55	427	160	180	50	14	100	70	265	212	110	14	14	327	24	50	27	8	121,5	121,5	100	582	36
50-20	35	65	50	55	532	160	200	50	14	100	70	265	212	110	14	14	403	32	80	35	10	141	141	100	687	51
50-25	35	65	50	55	534	180	225	65	16	125	95	320	250	110	14	14	405	32	80	35	10	175	175	100	689	59
65-20	35	80	65	66	542	180	225	65	16	125	95	320	250	110	14	14	413	32	80	35	10	150,5	150,5	140	748	58
80-20(S)	35	100	80	70	550	180	250	65	16	125	95	345	280	110	14	14	422	32	80	35	10	159	159	140	760	61
80-25	35	100	80	75	575	225	280	80	18	160	120	400	315	110	18	14	448	32	80	35	10	176	176	140	790	77
80-31	50	100	80	90	587	250	315	80	18	160	120	400	315	110	18	14	428	42	110	45	12	227	205	140	817	127
100-25	35	125	100	90	587	225	280	80	18	160	120	400	315	110	18	14	460	32	80	35	10	216	183	140	817	92
125-25	35	150	125	112	597	250	355	100	18	160	120	400	315	110	18	14	472	32	80	35	10	254	208	140	849	114
125-31	50	150	125	112	600	280	355	100	20	200	150	500	400	110	23	14	440	42	110	45	12	256	223	140	852	147
150-31	50	200	150	120	597	315	400	100	22	200	150	550	450	110	24	14	435	42	110	45	12	316	243	200	917	173
150-35	65	200	150	200	752	315	400	100	22	200	150	550	450	140	24	14	578	55	110	59	16	300	257	200	1152	261
200-35	65	250	200	250	765	355	450	100	22	200	150	550	450	140	24	19	591	55	110	59	16	352	275	200	1215	302
250-35	65	300	250	300	779	355	500	130	26	260	190	690	560	140	28	19	605	55	110	59	16	371	286	200	1279	355

(a)

Dimensions and weights are subject to variations.

Spacer coupling's length.



Dimensions Flanges EN 1092-1/2 PN 10

DNa - DNm	32	50	65	80	100	125	150
CF	100	125	145	160	180	210	240
DE	140	165	185	200	220	250	285
if	18	18	18	18	18	18	23
zf	4	4	4	8	8	8	8

ELECTRIC MOTOR

Size IEC	Power in [kW]			^(a) [mm]	Weight ^(a) [kg]
	2 Poles	4 Poles	6 Poles		
80	0.75	0.55	0.37	232	9
80	1.1	0.75	0.55	232	10
90	1.5	1.1	0.75	270	13
90	2.2	1.5	1.1	270	16
100	3	2.2	1.5	298	21
100	-	3	-	298	23
112	4	4	2.2	312	30
132	5.5	5.5	3	381	40
132	7.5	7.5	4	381	50
132	9.2	9.2	5.5	381	50
160	11	11	7.5	486	76
160	15	15	11	486	85
160	18.5	-	-	486	95
180	22	18.5	15	576	130
180	-	22	-	576	145

^(a)

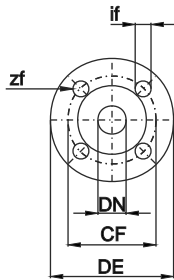
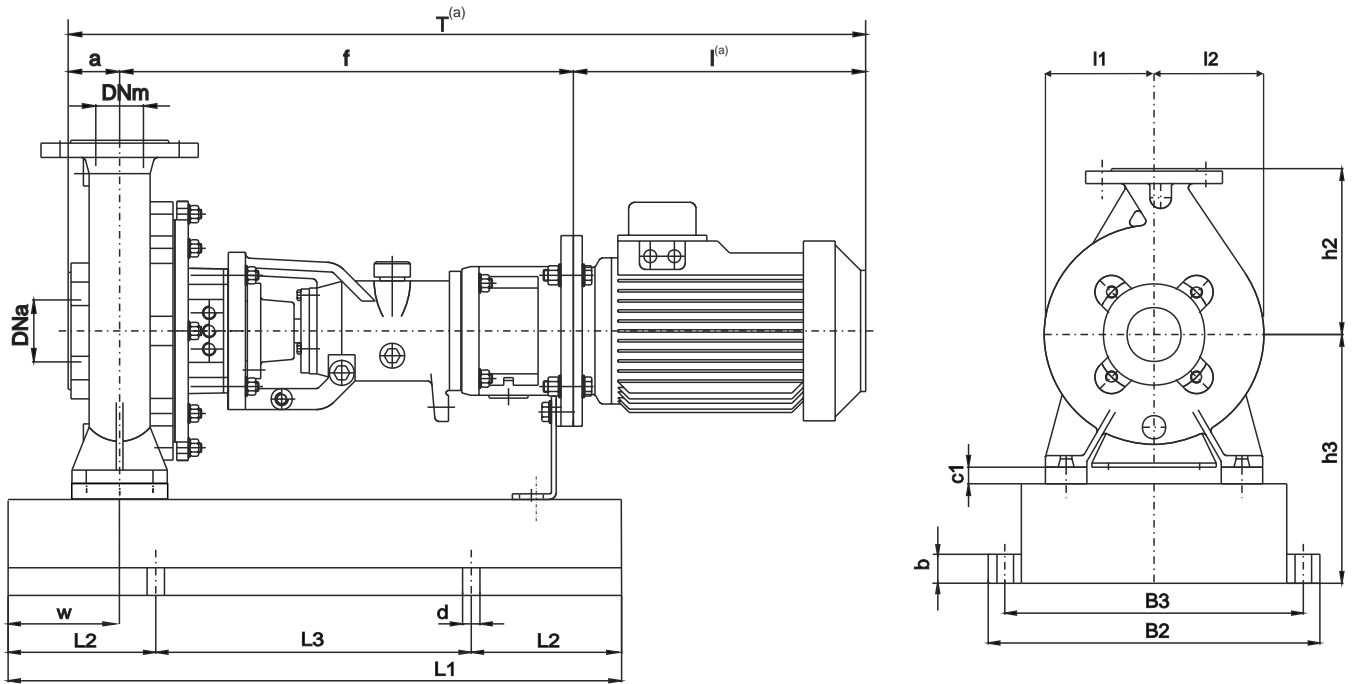
Dimensions and weights are subject to variations.

Not binding dimension that can change according to motor brand

Pump size	Motor size	DIMENSIONS [mm]																			weight ^(b) [kg]	
		Dna	Dnm	a	f	h1	h2	b	m1	m2	n1	n2	n3	w	s1	s2	c	c1	l1	l2		T ^(a)
32-16	80	50	32	48	472	132	160	50	100	70	240	190	110	427	14	14	14	0	114	114	814	40
	90	50	32	48	472	132	160	50	100	70	240	190	110	427	14	14	14	0	114	114	859	40
	100	50	32	48	489	132	160	50	100	70	240	190	110	427	14	14	14	0	114	114	926	47
	112	50	32	48	489	132	160	50	100	70	240	190	110	427	14	14	14	0	114	114	942	47
	132	50	32	48	512	132	160	50	100	70	240	190	110	467	14	14	14	25	114	114	1077	45
32-20	160	50	32	48	542	132	160	50	100	70	240	190	110	488	14	14	14	50	114	114	1249	51
	80	50	32	48	472	160	180	50	100	70	240	190	110	427	14	14	14	0	136	136	814	47
	90	50	32	48	472	160	180	50	100	70	240	190	110	427	14	14	14	0	136	136	859	47
	100	50	32	48	489	160	180	50	100	70	240	190	110	427	14	14	14	0	136	136	926	54
	112	50	32	48	489	160	180	50	100	70	240	190	110	427	14	14	14	0	136	136	942	54
50-16	132	50	32	48	512	160	180	50	100	70	240	190	110	467	14	14	14	0	136	136	1077	52
	160	50	32	48	542	160	180	50	100	70	240	190	110	488	14	14	14	20	136	136	1249	58
	90	65	50	55	481	160	180	50	100	70	265	212	110	437	14	14	14	0	122	122	875	43
	100	65	50	55	498	160	180	50	100	70	265	212	110	437	14	14	14	0	122	122	942	50
	112	65	50	55	498	160	180	50	100	70	265	212	110	437	14	14	14	0	122	122	958	50
50-20	132	65	50	55	521	160	180	50	100	70	265	212	110	477	14	14	14	0	122	122	1093	48
	160	65	50	55	551	160	180	50	100	70	265	212	110	498	14	14	14	20	122	122	1265	55
	100	65	50	55	599	160	200	50	100	70	265	212	110	549	14	14	14	0	141	141	1043	62
	112	65	50	55	599	160	200	50	100	70	265	212	110	549	14	14	14	0	141	141	1059	62
50-25	132	65	50	55	619	160	200	50	100	70	265	212	110	576	14	14	14	0	141	141	1191	64
	160	65	50	55	649	160	200	50	100	70	265	212	110	595	14	14	14	20	141	141	1363	71
	112	65	50	55	601	180	225	65	125	95	320	250	110	551	14	14	16	0	175	175	1061	70
	132	65	50	55	621	180	225	65	125	95	320	250	110	578	14	14	16	0	175	175	1193	72
65-20	160	65	50	55	651	180	225	65	125	95	320	250	110	597	14	14	16	0	175	175	1365	78
	100	80	65	66	609	180	225	65	125	95	320	250	110	559	14	14	16	0	151	151	1064	69
	112	80	65	66	609	180	225	65	125	95	320	250	110	559	14	14	16	0	151	151	1080	69
	132	80	65	66	629	180	225	65	125	95	320	250	110	586	14	14	16	0	151	151	1212	71
80-20(S)	160	80	65	66	659	180	225	65	125	95	320	250	110	605	14	14	16	0	151	151	1384	77
	112	100	80	70	617	180	250	65	125	95	345	280	110	568	14	14	16	0	159	159	1092	71
	132	100	80	70	637	180	250	65	125	95	345	280	110	595	14	14	16	0	159	159	1224	73
	160	100	80	70	667	180	250	65	125	95	345	280	110	614	14	14	16	0	159	159	1396	80
80-25	180	100	80	70	667	180	250	65	125	95	345	280	110	614	14	14	16	0	159	159	1471	80
	112	100	80	75	642	225	280	80	160	120	400	315	110	594	18	14	18	0	176	176	1122	87
	132	100	80	75	662	225	280	80	160	120	400	315	110	621	18	14	18	0	176	176	1254	89
	160	100	80	75	692	225	280	80	160	120	400	315	110	640	18	14	18	0	176	176	1426	96
80-31	180	100	80	75	692	225	280	80	160	120	400	315	110	640	18	14	18	0	176	176	1501	96
	112	100	80	90	658	250	315	80	160	120	400	315	110	609	18	14	18	0	227	205	1153	144
	132	100	80	90	678	250	315	80	160	120	400	315	110	637	18	14	18	0	227	205	1285	146
	160	100	80	90	708	250	315	80	160	120	400	315	110	652	18	14	18	0	227	205	1457	153
100-25	180	100	80	90	708	250	315	80	160	120	400	315	110	652	18	14	18	0	227	205	1532	153
	112	125	100	90	654	225	280	80	160	120	400	315	110	606	18	14	18	0	216	183	1149	102
	132	125	100	90	674	225	280	80	160	120	400	315	110	633	18	14	18	0	216	183	1281	104
	160	125	100	90	704	225	280	80	160	120	400	315	110	652	18	14	18	0	216	183	1453	111
125-25	180	125	100	90	704	225	280	80	160	120	400	315	110	652	18	14	18	0	216	183	1528	111
	112	150	125	112	664	250	355	100	160	120	400	315	110	618	18	14	18	0	254	208	1181	124
	132	150	125	112	684	250	355	100	160	120	400	315	110	645	18	14	18	0	254	208	1313	126
	160	150	125	112	714	250	355	100	160	120	400	315	110	664	18	14	18	0	254	208	1485	133
125-31	180	150	125	112	714	250	355	100	160	120	400	315	110	664	18	14	18	0	254	208	1560	133
	112	150	125	112	671	280	355	100	200	150	500	400	110	621	23	14	20	0	256	223	1188	165
	132	150	125	112	691	280	355	100	200	150	500	400	110	649	23	14	20	0	256	223	1320	167
	160	150	125	112	721	280	355	100	200	150	500	400	110	664	23	14	20	0	256	223	1492	174
150-31	180	150	125	112	721	280	355	100	200	150	500	400	110	664	23	14	20	0	256	223	1567	174
	112	200	150	120	668	315	400	100	200	150	550	450	110	616	24	14	22	0	316	243	1193	191
	132	200	150	120	688	315	400	100	200	150	550	450	110	644	24	14	22	0	316	243	1325	193
	160	200	150	120	718	315	400	100	200	150	550	450	110	659	24	14	22	0	316	243	1497	199
180	200	150	120	718	315	400	100	200	150	550	450	110	659	24	14	22	0	316	243	1572	199	

Dimensions and weights are subject to variations.

^(b)
Weight without electric motor



Dimensions Flanges EN 1092-1/2 PN 10							
DNa - DNm	32	50	65	80	100	125	150
CF	100	125	145	160	180	210	240
DE	140	165	185	200	220	250	285
if	18	18	18	18	18	18	23
zf	4	4	4	8	8	8	8

ELECTRIC MOTOR					
Size IEC	Power in [kW]			^(a) [mm]	Weight ^(a) [kg]
	2 Poles	4 Poles	6 Poles		
80	0.75	0.55	0.37	232	9
80	1.1	0.75	0.55	232	10
90	1.5	1.1	0.75	270	13
90	2.2	1.5	1.1	270	16
100	3	2.2	1.5	298	21
100	-	3	-	298	23
112	4	4	2.2	312	30
132	5.5	5.5	3	381	40
132	7.5	7.5	4	381	50
132	9.2	9.2	5.5	381	50
160	11	11	7.5	486	76
160	15	15	11	486	85
160	18.5	-	-	486	95
180	22	18.5	15	576	130
180	-	22	-	576	145

^(a) Not binding dimension that can change according to motor brand

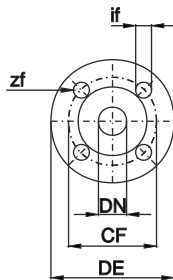
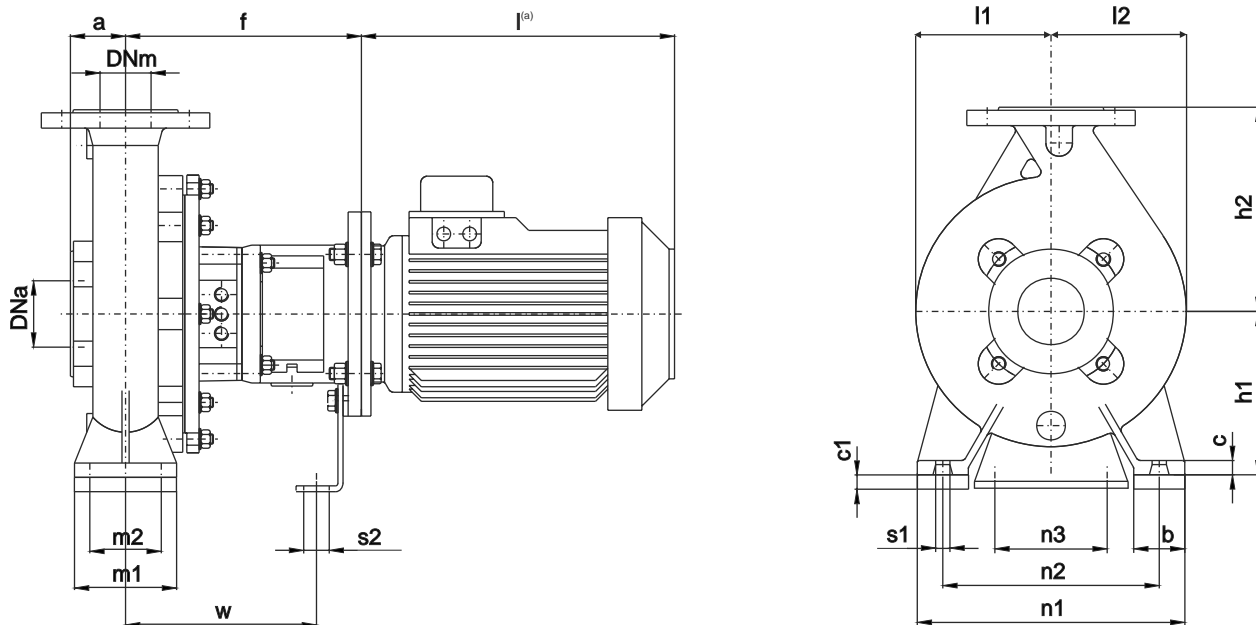
Dimensions and weights are subject to variations.

Pump size	Motor size	Base plate	DIMENSIONS [mm]																	weight ^(b) [kg]	
			Dna	Dnm	a	f	h2	h3	L1	L2	L3	B2	B3	w	d	b	c1	l1	l2		T ^(a)
32-16	80	G1	50	32	48	472	160	202	650	100	450	350	320	60	14	4	0	114	114	814	48
	90	G1	50	32	48	472	160	202	650	100	450	350	320	60	14	4	0	114	114	859	48
	100	G1	50	32	48	489	160	202	650	100	450	350	320	60	14	4	0	114	114	926	55
	112	G1	50	32	48	489	160	202	650	100	450	350	320	60	14	4	0	114	114	942	55
	132	G1	50	32	48	512	160	202	650	100	450	350	320	60	14	4	25	114	114	1077	53
160	G1	50	32	48	542	160	202	650	100	450	350	320	60	14	4	50	114	114	1249	60	
32-20	80	G1	50	32	48	472	180	230	650	100	450	350	320	60	14	4	0	136	136	814	55
	90	G1	50	32	48	472	180	230	650	100	450	350	320	60	14	4	0	136	136	859	55
	100	G1	50	32	48	489	180	230	650	100	450	350	320	60	14	4	0	136	136	926	62
	112	G1	50	32	48	489	180	230	650	100	450	350	320	60	14	4	0	136	136	942	62
	132	G1	50	32	48	512	180	230	650	100	450	350	320	60	14	4	0	136	136	1077	60
160	G1	50	32	48	542	180	230	650	100	450	350	320	60	14	4	20	136	136	1249	66	
50-16	90	G1	65	50	55	481	180	230	650	100	450	350	320	60	14	4	0	122	122	875	52
	100	G1	65	50	55	498	180	230	650	100	450	350	320	60	14	4	0	122	122	942	59
	112	G1	65	50	55	498	180	230	650	100	450	350	320	60	14	4	0	122	122	958	59
	132	G1	65	50	55	521	180	230	650	100	450	350	320	60	14	4	0	122	122	1093	57
	160	G1	65	50	55	551	180	230	650	100	450	350	320	60	14	4	20	122	122	1265	63
50-20	100	G2	65	50	55	599	200	230	850	150	550	510	460	60	16	6	0	141	141	1043	82
	112	G2	65	50	55	599	200	230	850	150	550	510	460	60	16	6	0	141	141	1059	82
	132	G2	65	50	55	619	200	230	850	150	550	510	460	60	16	6	0	141	141	1191	84
	160	G2	65	50	55	649	200	230	850	150	550	510	460	60	16	6	20	141	141	1363	90
50-25	112	G2	65	50	55	601	225	250	850	150	550	510	460	75	16	6	0	175	175	1061	90
	132	G2	65	50	55	621	225	250	850	150	550	510	460	75	16	6	0	175	175	1193	92
	160	G2	65	50	55	651	225	250	850	150	550	510	460	75	16	6	0	175	175	1365	98
65-20	100	G2	80	65	66	609	225	250	850	150	550	510	460	75	16	6	0	151	151	1064	89
	112	G2	80	65	66	609	225	250	850	150	550	510	460	75	16	6	0	151	151	1080	89
	132	G2	80	65	66	629	225	250	850	150	550	510	460	75	16	6	0	151	151	1212	91
	160	G2	80	65	66	659	225	250	850	150	550	510	460	75	16	6	0	151	151	1384	97
80-20(S)	112	G2	100	80	70	617	250	250	850	150	550	510	460	75	16	6	0	159	159	1092	91
	132	G2	100	80	70	637	250	250	850	150	550	510	460	75	16	6	0	159	159	1224	93
	160	G2	100	80	70	667	250	250	850	150	550	510	460	75	16	6	0	159	159	1396	100
	180	G2	100	80	70	667	250	250	850	150	550	510	460	75	16	6	0	159	159	1471	100
80-25	112	G2	100	80	75	642	280	295	850	150	550	510	460	90	16	6	0	176	176	1122	107
	132	G2	100	80	75	662	280	295	850	150	550	510	460	90	16	6	0	176	176	1254	109
	160	G2	100	80	75	692	280	295	850	150	550	510	460	90	16	6	0	176	176	1426	116
	180	G2	100	80	75	692	280	295	850	150	550	510	460	90	16	6	0	176	176	1501	116
80-31	112	G3	100	80	90	658	315	350	1000	200	600	650	590	90	20	8	0	227	205	1153	199
	132	G3	100	80	90	678	315	350	1000	200	600	650	590	90	20	8	0	227	205	1285	201
	160	G3	100	80	90	708	315	350	1000	200	600	650	590	90	20	8	0	227	205	1457	208
	180	G3	100	80	90	708	315	350	1000	200	600	650	590	90	20	8	0	227	205	1532	208
100-25	112	G2	125	100	90	654	280	295	850	150	550	510	460	90	16	6	0	216	183	1149	122
	132	G2	125	100	90	674	280	295	850	150	550	510	460	90	16	6	0	216	183	1281	124
	160	G2	125	100	90	704	280	295	850	150	550	510	460	90	16	6	0	216	183	1453	131
	180	G2	125	100	90	704	280	295	850	150	550	510	460	90	16	6	0	216	183	1528	131
125-25	112	G2	150	125	112	664	355	320	850	150	550	510	460	90	16	6	0	254	208	1181	144
	132	G2	150	125	112	684	355	320	850	150	550	510	460	90	16	6	0	254	208	1313	146
	160	G2	150	125	112	714	355	320	850	150	550	510	460	90	16	6	0	254	208	1485	153
	180	G2	150	125	112	714	355	320	850	150	550	510	460	90	16	6	0	254	208	1560	153
125-31	112	G3	150	125	112	671	355	380	1000	200	600	650	590	110	20	8	0	256	223	1188	220
	132	G3	150	125	112	691	355	380	1000	200	600	650	590	110	20	8	0	256	223	1320	222
	160	G3	150	125	112	721	355	380	1000	200	600	650	590	110	20	8	0	256	223	1492	228
	180	G3	150	125	112	721	355	380	1000	200	600	650	590	110	20	8	0	256	223	1567	228
150-31	112	G3	200	150	120	668	400	415	1000	200	600	650	590	110	20	8	0	316	243	1193	245
	132	G3	200	150	120	688	400	415	1000	200	600	650	590	110	20	8	0	316	243	1325	247
	160	G3	200	150	120	718	400	415	1000	200	600	650	590	110	20	8	0	316	243	1497	254
	180	G3	200	150	120	718	400	415	1000	200	600	650	590	110	20	8	0	316	243	1572	254

Dimensions and weights are subject to variations.

^(a)Not binding dimension that can change according to motor brand

^(b)Weight without electric motor



Dimensions Flanges EN 1092-1/2 PN 10

DNa - DNm	32	50	65	80	100	125	150
CF	100	125	145	160	180	210	240
DE	140	165	185	200	220	250	285
if	18	18	18	18	18	18	23
zf	4	4	4	8	8	8	8

ELECTRIC MOTOR

Size	Power in [kW]			^(a) [mm]	Weight ^(a) [kg]
	2 Poles	4 Poles	6 Poles		
IEC					
80	0.75	0.55	0.37	232	9
80	1.1	0.75	0.55	232	10
90	1.5	1.1	0.75	270	13
90	2.2	1.5	1.1	270	16
100	3	2.2	1.5	298	21
100	-	3	-	298	23
112	4	4	2.2	312	30
132	5.5	5.5	3	381	40
132	7.5	7.5	4	381	50
132	9.2	9.2	5.5	381	50
160	11	11	7.5	486	76
160	15	15	11	486	85
160	18.5	-	-	486	95
180	22	18.5	15	576	130
180	-	22	-	576	145

^(a)

Dimensions and weights are subject to variations.

Not binding dimension that can change according to motor brand

Pump size	Motor size	DIMENSIONS [mm]																		weight ^(b) [kg]	
		Dna	Dnm	a	f	h1	h2	b	m1	m2	n1	n2	n3	w	s1	s2	c	c1	l1		l2
32-16	80	50	32	48	227	132	160	50	100	70	240	190	110	182	14	14	14	0	114	114	40
	90	50	32	48	227	132	160	50	100	70	240	190	110	182	14	14	14	0	114	114	40
	100	50	32	48	244	132	160	50	100	70	240	190	110	182	14	14	14	0	114	114	47
	112	50	32	48	244	132	160	50	100	70	240	190	110	182	14	14	14	0	114	114	47
	132	50	32	48	267	132	160	50	100	70	240	190	110	222	14	14	14	25	114	114	45
32-20	80	50	32	48	227	160	180	50	100	70	240	190	110	182	14	14	14	0	135,5	135,5	47
	90	50	32	48	227	160	180	50	100	70	240	190	110	182	14	14	14	0	135,5	135,5	47
	100	50	32	48	244	160	180	50	100	70	240	190	110	182	14	14	14	0	135,5	135,5	54
	112	50	32	48	244	160	180	50	100	70	240	190	110	182	14	14	14	0	135,5	135,5	54
	132	50	32	48	267	160	180	50	100	70	240	190	110	222	14	14	14	0	135,5	135,5	52
50-16	90	65	50	55	236	160	180	50	100	70	265	212	110	192	14	14	14	0	121,5	121,5	43
	100	65	50	55	253	160	180	50	100	70	265	212	110	192	14	14	14	0	121,5	121,5	50
	112	65	50	55	253	160	180	50	100	70	265	212	110	192	14	14	14	0	121,5	121,5	50
	132	65	50	55	276	160	180	50	100	70	265	212	110	232	14	14	14	0	121,5	121,5	48
	160	65	50	55	306	160	180	50	100	70	265	212	110	253	14	14	14	0	121,5	121,5	55
50-20	100	65	50	55	284	160	200	50	100	70	265	212	110	234	14	14	14	0	141	141	62
	112	65	50	55	284	160	200	50	100	70	265	212	110	234	14	14	14	0	141	141	62
	132	65	50	55	304	160	200	50	100	70	265	212	110	261	14	14	14	0	141	141	64
	160	65	50	55	334	160	200	50	100	70	265	212	110	280	14	14	14	20	141	141	71
50-25	112	65	50	55	286	180	225	65	125	95	320	250	110	236	14	14	16	0	175	175	70
	132	65	50	55	306	180	225	65	125	95	320	250	110	263	14	14	16	0	175	175	72
	160	65	50	55	336	180	225	65	125	95	320	250	110	282	14	14	16	0	175	175	78
65-20	100	80	65	66	294	180	225	65	125	95	320	250	110	244	14	14	16	0	150,5	150,5	69
	112	80	65	66	294	180	225	65	125	95	320	250	110	244	14	14	16	0	150,5	150,5	69
	132	80	65	66	314	180	225	65	125	95	320	250	110	271	14	14	16	0	150,5	150,5	71
	160	80	65	66	344	180	225	65	125	95	320	250	110	290	14	14	16	0	150,5	150,5	77
80-20(S)	112	100	80	70	302	180	250	65	125	95	345	280	110	253	14	14	16	0	159	159	71
	132	100	80	70	322	180	250	65	125	95	345	280	110	280	14	14	16	0	159	159	73
	160	100	80	70	352	180	250	65	125	95	345	280	110	299	14	14	16	0	159	159	80
	180	100	80	70	352	180	250	65	125	95	345	280	110	299	14	14	16	0	159	159	80
80-25	112	100	80	75	327	225	280	80	160	120	400	315	110	279	18	14	18	0	176	176	87
	132	100	80	75	347	225	280	80	160	120	400	315	110	306	18	14	18	0	176	176	89
	160	100	80	75	377	225	280	80	160	120	400	315	110	325	18	14	18	0	176	176	96
	180	100	80	75	377	225	280	80	160	120	400	315	110	325	18	14	18	0	176	176	96
100-25	112	125	100	90	339	225	280	80	160	120	400	315	110	291	18	14	18	0	216	183	102
	132	125	100	90	359	225	280	80	160	120	400	315	110	318	18	14	18	0	216	183	104
	160	125	100	90	389	225	280	80	160	120	400	315	110	337	18	14	18	0	216	183	111
	180	125	100	90	389	225	280	80	160	120	400	315	110	337	18	14	18	0	216	183	111
125-25	112	150	125	112	349	250	355	100	160	120	400	315	110	303	18	14	18	0	254	208	124
	132	150	125	112	369	250	355	100	160	120	400	315	110	330	18	14	18	0	254	208	126
	160	150	125	112	399	250	355	100	160	120	400	315	110	349	18	14	18	0	254	208	133
	180	150	125	112	399	250	355	100	160	120	400	315	110	349	18	14	18	0	254	208	133

Dimensions and weights are subject to variations.

^(b) Weight without electric motor



BEDU
≡ P O M P E N ≡

made for your process

- Expert advice
- A customer-oriented organization that adapts to the requirements and wishes of your organization
- Innovative and customized solutions
- Breakdownservice, 24 hours a day, 7 days a week
- Technical service with extensive test facilities, working from our own workplace or at your location
- A fast and appropriate solution for all your issues
- Wide range of liquid pumps
- Repair, maintenance and revision

BEDU POMPEN B.V.
Poort van Midden Gelderland Rood 10
6666 LT HETEREN
Nederland
Telefoon +31 (0)88 4802 900
E-mail sales@bedu.eu

WWW.BEDU.NL

BEDU BELGIUM B.V.B.A.
Industriepark-West 75
9100 SINT-NIKLAAS
België
Telefoon +32 (0)3 80 87 980
E-mail sales@bedu.eu

WWW.BEDU.BE

