

E40

1.5" (38MM) BOLTED PLASTIC



EXPERIENCE SUPERIOR PERFORMANCE

FLOW RATE FLEXIBILITY

Up to 100 gpm (378 lpm)

SOLIDS PASSAGE

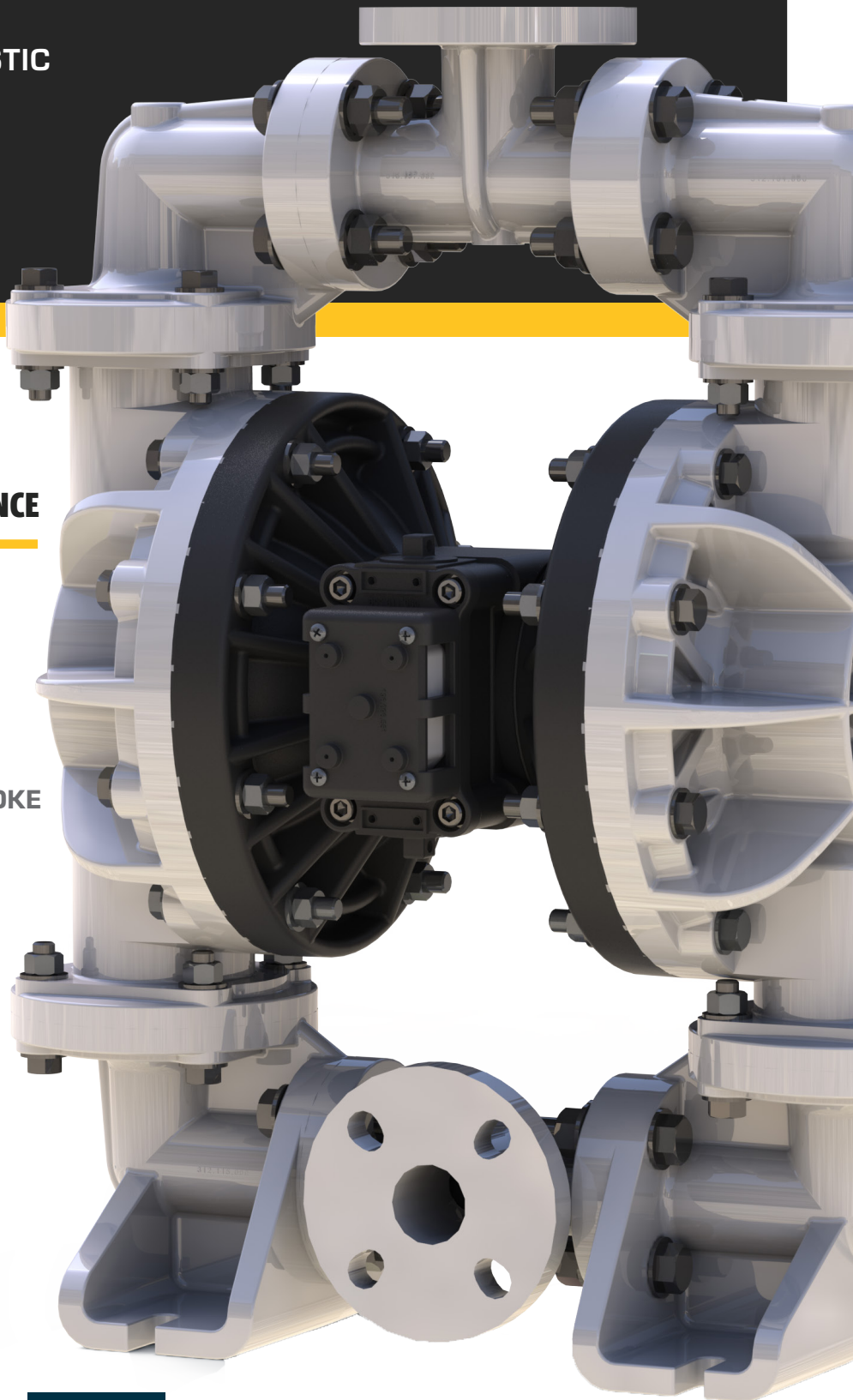
0.47" (12mm)

EXCELLENT DISPLACEMENT PER STROKE

Less strokes provide greater efficiency and extended MTBF

LOW COST OF OWNERSHIP

Sizing a pump up from a 1" to a 1.5" saves on energy and reduces pump wear



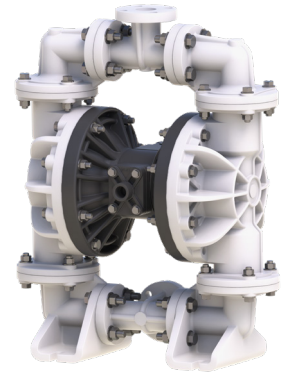
VERSAMATIC[®]
PUMPING MADE EASY

BEDU
POMPEN

VERSAMATIC.COM

OVERVIEW

- Industry Leading Displacement Per Stroke - .43 Gal. / 1.63 L
- Chemically resistant all-plastic construction (Wet Side / Air Side)
- Adjustable porting options (Horizontal / Vertical)
- Safe leak-free bolted construction
- Excellent solids handling up to .47" (12mm)
- Key Applications - Bulk Chemical Transfer & Waste Treatment



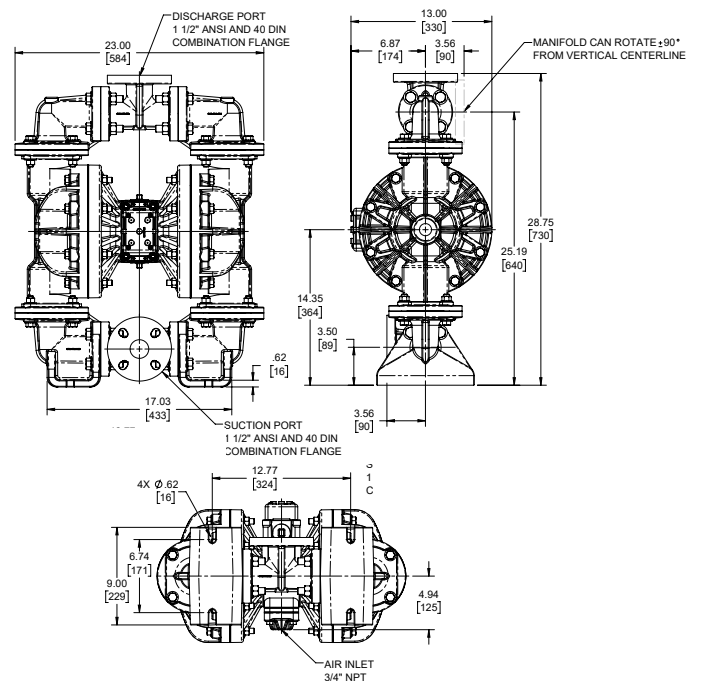
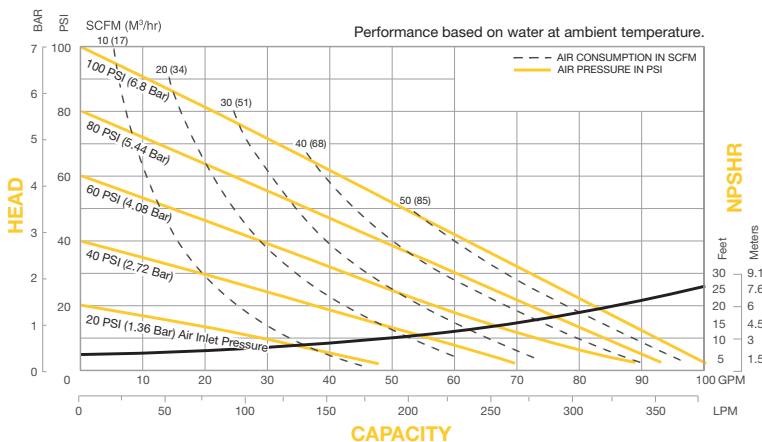
PERFORMANCE:

Suction / Discharge Port Size	1.5" (38mm) ANSI / DIN
Capacity	100 GPM (378 lpm)
Air Distribution Valve	No lube, no-stall design
Solids Handling	Up to .47 inches (12mm)
Heads Up To	100 psi or 231 ft. of water (7 bar or 70 meters)
Maximum Operating Pressure	100 psi (7 bar)
Displacement / Stroke	0.43 Gal./ 1.63 L
Weights	Polypropylene 82 lbs (37 kg) PVDF 112 lbs (51 kg) Conductive Polypropylene 85 lbs (38 kg)

FEATURES:

- Robust construction
- Proven air valve system
- Non-freezing, Non-stalling, On / Off reliability
- Integrated muffler
- Wide range of Wetted Materials
 - Polypropylene
 - PVDF
 - Conductive Polypropylene, ATEX

1.5" (38MM) CURVE



VERSAMATIC®



Warren Rupp, Inc. | A Unit of IDEX Corporation
800 North Main Street | Mansfield, OH 44902 USA
Phone: 419.526.7296 | Fax: 419.526.7289

VERSAMATIC.COM

BEDU
≡ POMPEN ≡



VM_E40BoltedPlastic_Rev1219

©Copyright 2019 Warren Rupp, Inc. All Rights Reserved.