

# CT 61

## Peripheral Pump

 ARUBIX  
 Company


### Construction

Close-coupled peripheral pump (regenerative pump) with turbine impeller. Compact, patented construction with single-piece motor casing and pump-side wall. Protected against water entering the motor from outside.

CT: version with pump casing in cast iron.

B-CT: version with pump casing in bronze  
(the pumps are supplied fully painted).

### Applications

For clean liquids without abrasives, without suspended solids, non-explosive, non-aggressive for the pump materials. For increasing network pressure (follow local specifications). For the reduced dimensions, these pumps are very well suitable to be mounted in cooling and air-conditioning machines and equipments, circulation.

### Operating conditions

Liquid temperature up to 60 °C.

Ambient temperature up to 40 °C.

Total suction lift up to 7 m.

Continuous duty.

### Motor

2-pole induction motor, 50 Hz ( $n \approx 2900$  rpm).

**CT 61:** three-phase 230/400 V  $\pm 10\%$ .

**CTM 61:** single-phase 230 V  $\pm 10\%$ , with thermal protector. Capacitor inside the terminal box.

Insulation class F.

Protection IP 54.

Constructed in accordance with: EN 60034-1;  
EN 60335-1, EN 60335-2-41.

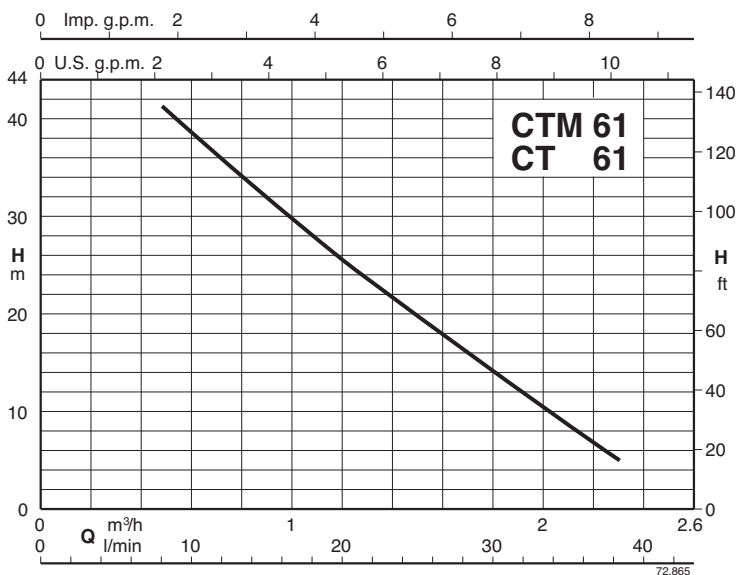
### Special features on request

- Other voltages.
- Frequency 60 Hz (as per 60 Hz data sheet).
- Special mechanical seal.

### Materials

Components	CT 61	B-CT 61
Pump casing	Cast iron GJL 200 EN 1561	Bronze G-Cu Sn 10 EN 1982
Casing cover motor side	Brass P- Cu Zn Pb 2 UNI 5705	
Impeller	Brass P- Cu Zn Pb 2 UNI 5705	
Shaft	Chrome steel 1.4104 EN 10088 (AISI 430)	
Mechanical seal	Carbon - Ceramic - NBR	

### Coverage chart $n \approx 2900$ rpm



# CT 61

## Peripheral Pump

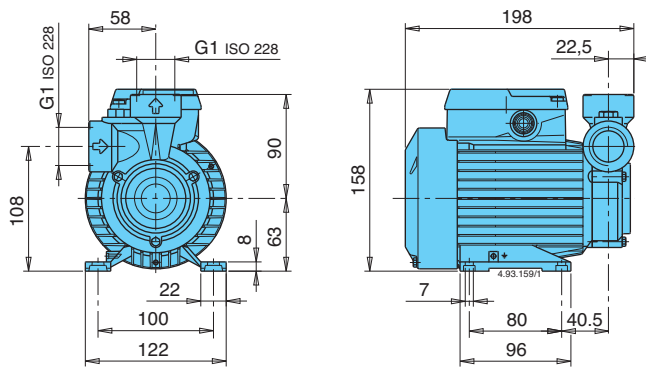
### Performance $n \approx 2900$ rpm

3~	230V 400V		1~	230V A	P <sub>1</sub> kW	P <sub>2</sub>		Q m <sup>3</sup> /h l/min	0,48 8	0,6 10	0,75 12,5	0,96 16	1,2 20	1,5 25	1,89 31,5	2,3 38
	A	A				kW	HP									
<b>CT 61/A</b> <b>B-CT 61/A</b>	1,9	1,1	<b>CTM 61/A</b> <b>B-CTM 61/A</b>	2,5	0,55	0,33	0,45	<b>H m</b>	41	38,5	35,5	31	25,5	19	11	5

H Total head in m.

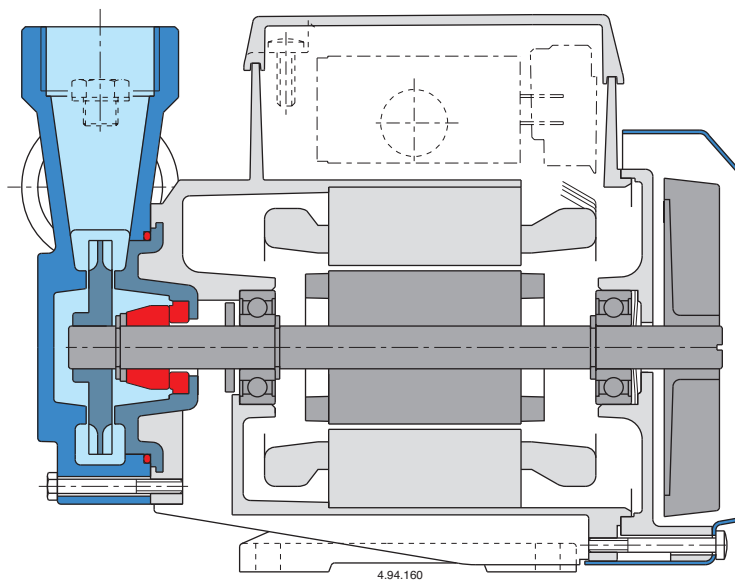
P<sub>2</sub> Rated motor power output.

### Dimensions and weights



CT 61/A **4,9** kg  
 CTM 61/A **5** kg  
 B-CT 61/A **5,1** kg  
 B-CTM 61/A **5,2** kg

### Features



Patented

# CT 60

## Peripheral Pump



### Construction

Close-coupled peripheral pump (regenerative pump) with turbine impeller.

Compact, patented construction with single-piece motor casing and pump-side wall.

Protected against water entering the motor from outside.

### Applications

For clean liquids without abrasives, without suspended solids, non-explosive, non-aggressive for the pump materials.

For increasing network pressure (follow local specifications).

For the reduced dimensions, these pumps are very well suitable to be mounted in cooling and air-conditioning machines and equipments, circulation.

### Operating conditions

Liquid temperature up to 60 °C.

Ambient temperature up to 40 °C.

Total suction lift up to 7 m.

Continuous duty.

### Motor

2-pole induction motor, 50 Hz ( $n \approx 2900$  rpm).

**CT 60:** three-phase 230/400 V  $\pm 10\%$ .

**CTM 60:** single-phase 230 V  $\pm 10\%$ , with thermal protector. Capacitor inside the terminal box.

Insulation class F.

Protection IP 54.

Constructed in accordance with: EN 60034-1;

EN 60335-1, EN 60335-2-41.

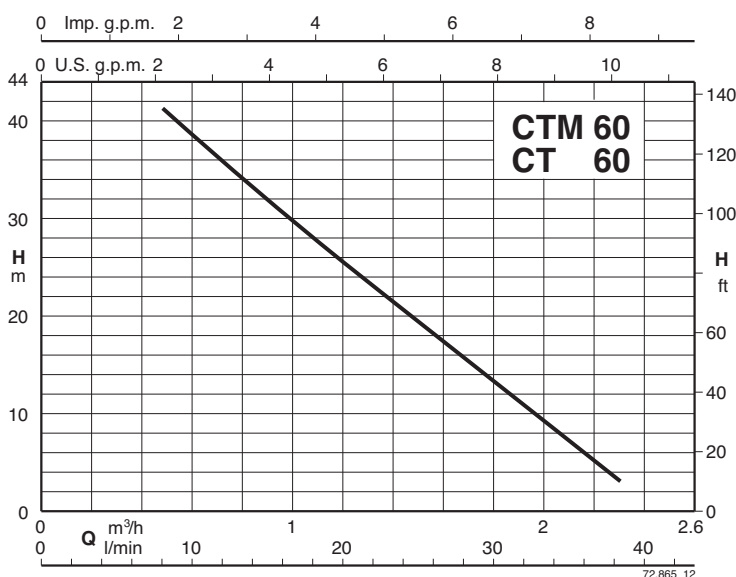
### Materials

Components	Materials
Pump casing	Cast iron GJL 200 EN 1561
Casing cover motor side	Brass P- Cu Zn Pb 2 UNI 5705
Impeller	Brass P- Cu Zn Pb 2 UNI 5705
Shaft	Chrome steel 1.4104 EN 10088 (AISI 430)
Mechanical seal	Carbon - Ceramic - NBR

### Special features on request

- Other voltages.
- Frequency 60 Hz (as per 60 Hz data sheet).
- Special mechanical seal.

### Coverage chart $n \approx 2900$ rpm



# CT 60

## Peripheral Pump

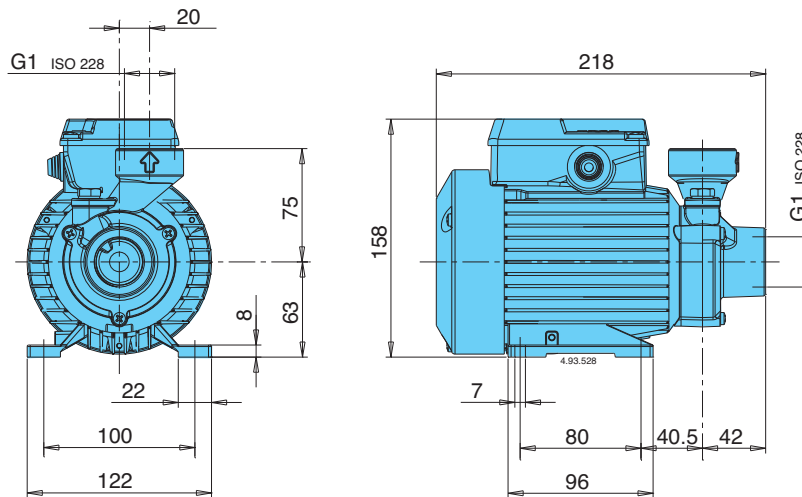
### Performance $n \approx 2900$ rpm

3~	230V 400V		1~	230V	P <sub>1</sub>	P <sub>2</sub>		Q								
	A	A				A	kW		kW	HP	m <sup>3</sup> /h	0,48	0,6	0,75	0,96	1,2
CT 60/A	1,9	1,1	CTM 60/A	2,5	0,55	0,33	0,45	H m	41	38,5	35,5	31	25,5	19	11	3

H Total head in m.

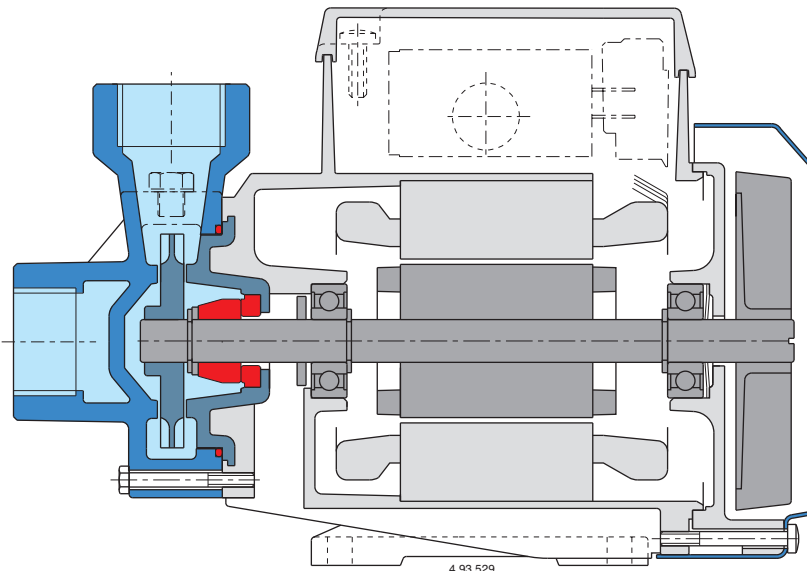
P<sub>2</sub> Rated motor power output.

### Dimensions and weights



CT 60/A 4,9 kg  
CTM 60/A 5 kg

### Features



Patented