



Peripheral impeller pumps

CP series

Standard design

Closed coupled single stage peripheral impeller pumps suitable for clean, non abrasive liquids without solids and viscosities up to max. 250 cP.

The special design of casing and impeller is suitable for duties with medium-high heads and low flow rates.

The pulsation-free flow is suitable for liquid dosing, laboratory micro installations, spraying and in-line measurement systems.

Wetted parts from AISI 316L (1.4404) stainless steel rolled bar, electro-chemically polished for a perfect surface finish.

A range of 2 models with flow rates up to 6 m³/h and heads of more than 100 m.

Maximum outlet pressure: 16 bar
Temperature range: -10°C to 100°C
Maximum rotation speed: 3500 rpm



CP pump with shroud and stainless steel adjustable feet



Pump with B34 motor



Peripheral impeller made from AISI 316L (1.4404) stainless steel rolled bar.

On request special anti-friction stainless alloy is available.

Seals:

Single mechanical seals with seats to EN 12756, ISO 3069 standards.

Elastomers:

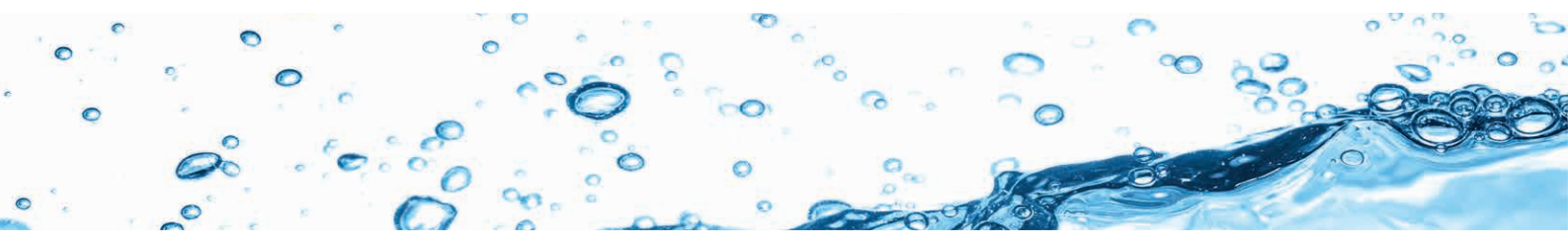
EPDM
Fluorocarbon
Perfluoroelastomer
P.T.F.E. (FEP)
FFPM

Connections:

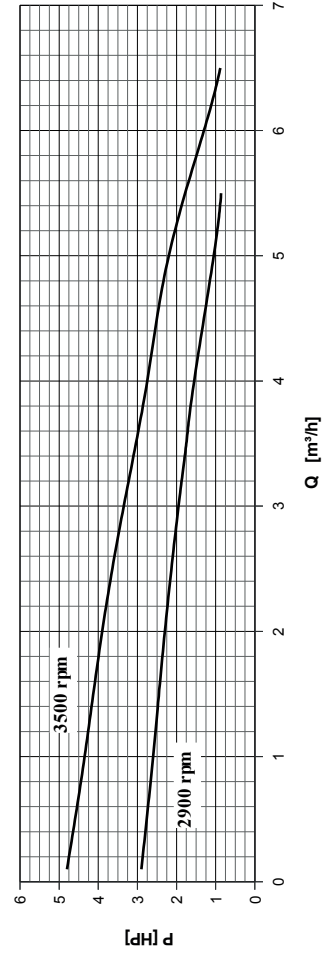
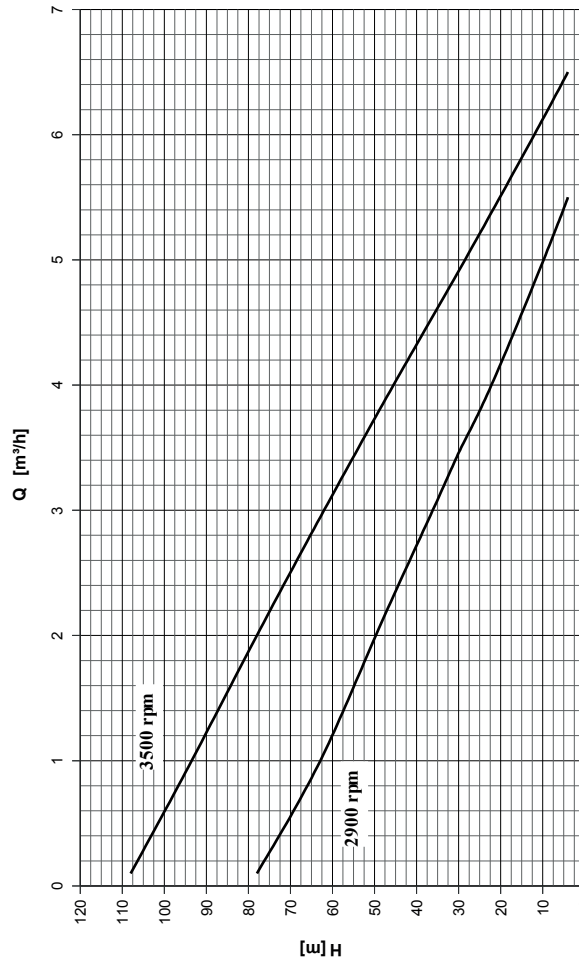
DIN - SMS - IDF - BS / RJT - DS - CLAMP.
Other connections are available on request.

Applications:

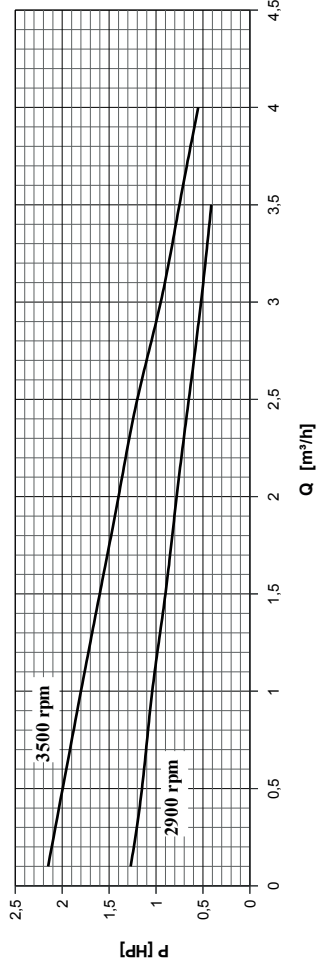
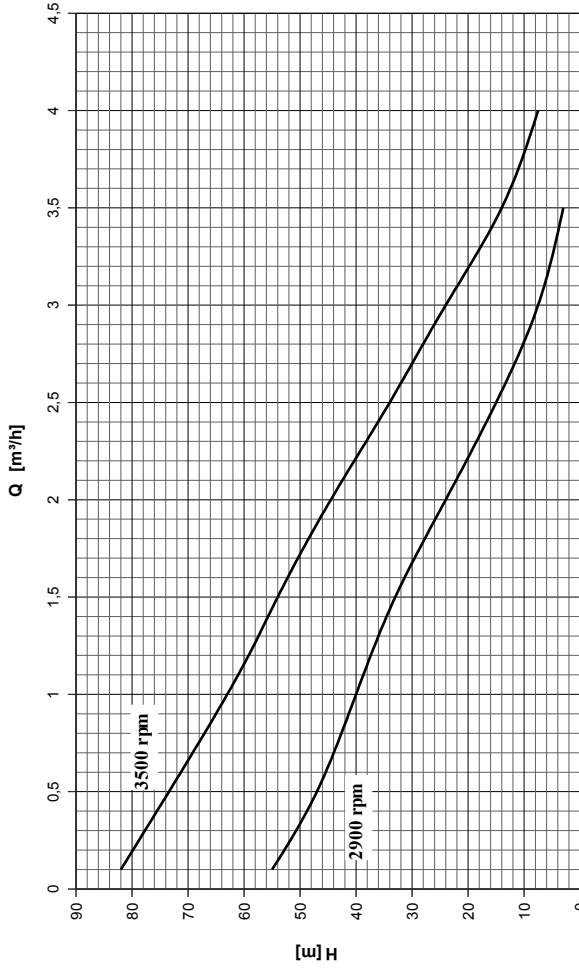
Food processing, dairy, beverage and syrups, oils, liqueurs and CIP duties.
Chemical industry, acid and basic solutions.
Cosmetic and pharmaceutical industry.



Pump type CP 25		n 2900/3500		<i>r.p.m.</i>	
Type	n° of blades	max. sphere	max. diameter	min. diameter	Ports type
	32	mm	80 mm	mm	DIN 11851
Discharge port DN 25					
Curves show performance with clear water at 70 °F – Specific gravity 1 Kg/dm³					



Pump type CP 15		n 2900/3500		<i>r.p.m.</i>	
Type	n° of blades	max. sphere	max. diameter	min. diameter	Ports type
	36	mm	74 mm	mm	DIN 11851
Discharge port DN 15					
Curves show performance with clear water at 70 °F – Specific gravity 1 Kg/dm³					



EXECUTION



“V”
STANDARD

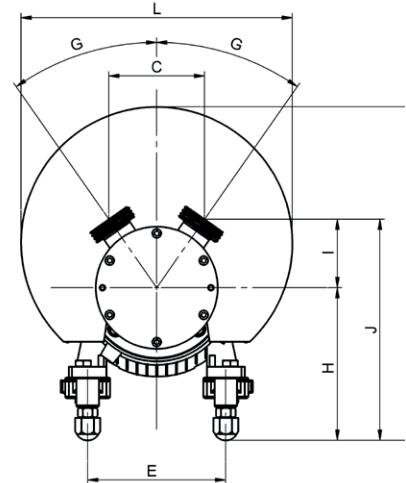
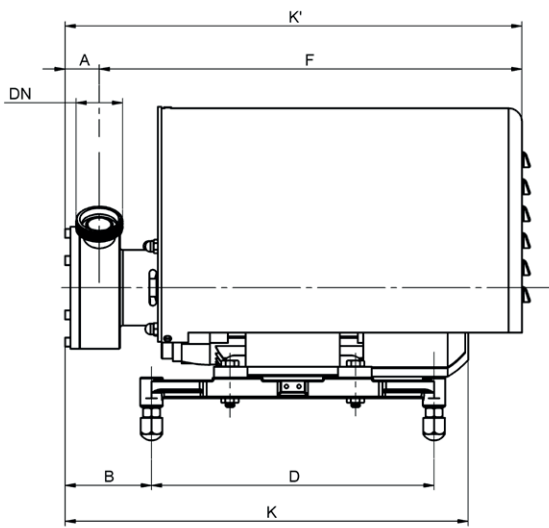


“W”
WITH HORIZONTAL PORTS



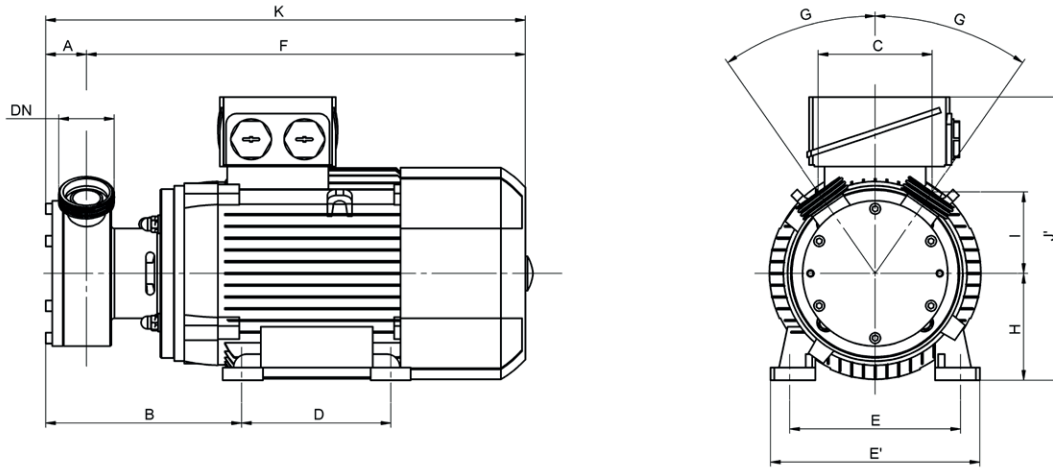
“U”
WITH VERTICAL PORTS

OVERALL DIMENSIONS



Dimensions not binding - DN = DIN 11851 male threaded connections with standard IEC/EN motors

Pumps	Motors Kw	DNa	DNm	A	B	C	D	E	F	G	H	K	K'	I	J	J'	L			
CP 15	1,1	15	15	32	107	90,5	270	140	400	35°	158	400	433	63,5	221,5	361	302,5			
	1,5																			
	2,2																			
CP 25	2,2	25	25	39	104,5	107	270	140	402	35°	158	400	440	76	234	361	302,5			
	3				96													315	154	472
	4				96													315	154	472

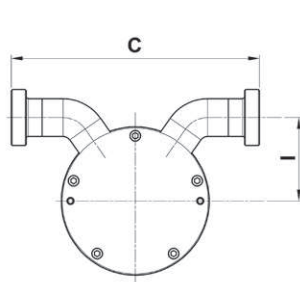


Dimensions not binding - DN = DIN 11851 male threaded connections with standard IEC/EN motors

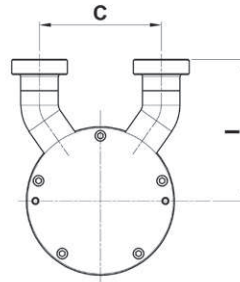
Pumps	Motors Kw	DNa	DNm	A	B	C	D	E	E'	F	G	H	K	ØR	I	J
CP 15	1,1	15	15	32	179	90,5	125	140	170	362	35°	90	395	10	63,5	218
	1,5															
	2,2															
CP 25	2,2	25	25	39	176	107	125	140	170	365	100	450	12	76	246	
	3				183,5		140	160	193	411						
	4															

PORTS VERSIONS

Horizontal ports		
	I	C
CP 15	60,5	157,5
CP 25	72	202,2



HORIZONTAL



VERTICAL

Vertical ports		
	I	C
CP 15	85,5	77,5
CP 25	107	90,5