

- Works without electrical current
- Mechanical stroke adjustment
- Space-saving design
- Separate air bleeding
- High reliability due to teflon compound diaphragm
- Optional with integrated solenoid valve



Pneumatic metering pump incl. control by external 3/2-port directional control valve
 optional

Pneumatic metering pump incl. control by integrated 3/2-port solenoid valve

Due to its very compact construction the pneumatic metering pump is recommended especially for the use in very cramped circumstances. All operational components are arranged at the front side of the pump.

The diaphragms are controlled by pressurized air of a driving piston. When the pressurized air or turn-over to the 3/2-port directional control valves get switched-off the diaphragms turn back to the initial position by a spring. The repressed volume is

delivered to the diaphragm chamber over a double ball suction and pressure valve. The delivery performance can be controlled exactly by stroke frequency and a lock-type stroke adjustment. The pump can be synchronized manually for start-up or venting during an upcoming air pressure.

A continuous metering demands a synchronized control by an external or internal 3/2-port directional control valve.

Technical Data:

Mechanical Data:

Pump capacity [l/h]:	3.0	6.0	12.0
Metering back-pressure [bar]:	6	6	6
Delivery capacity per stroke [cm ³]:	0.45	0.83	1.67
Suction height:	1.5 mWs		
Metering frequency max:	120 1/min		
Air consumption [l/min]:	approx. 35		
Air control pressure [bar]:	7		
Suction valve :	without spring 2 balls		
Pressure valve :	each ball spring loaded		
Weight [kg]:	approx. 0.5		

Material:

Control block:	polyamide
Pump head:	polypropylene
Diaphragm:	PTFE - EPDM compound diaphragm
Valve body:	polypropylene
Seals:	FPM 602 (Viton B) * either EPDM
Valve balls:	stainless steel 1.4401 * either Duran glass
Return spring:	stainless steel (1.4310)
Colour:	blue RAL 5007 / black

* Standard

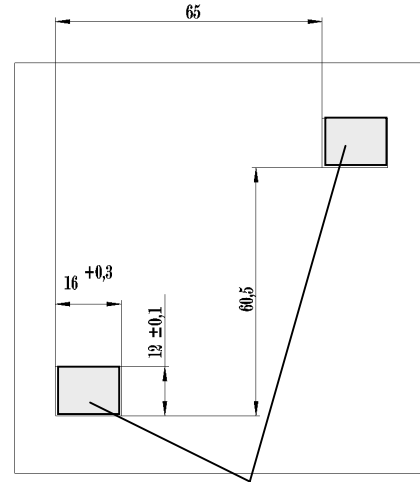
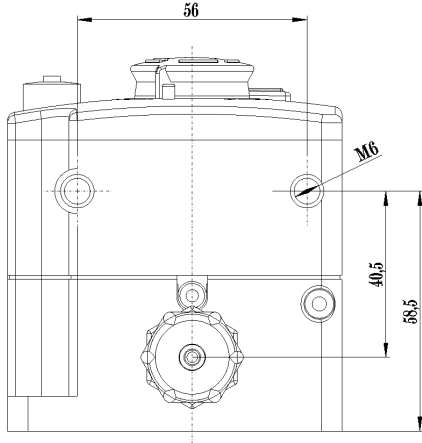
Electrical Data:

(integrated solenoid valve)

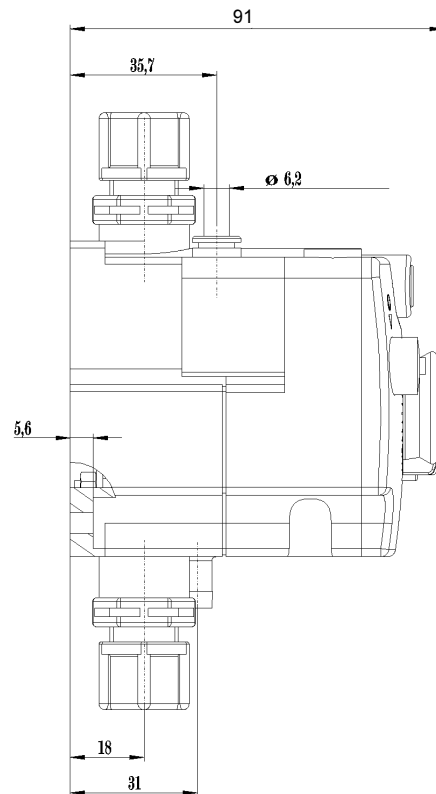
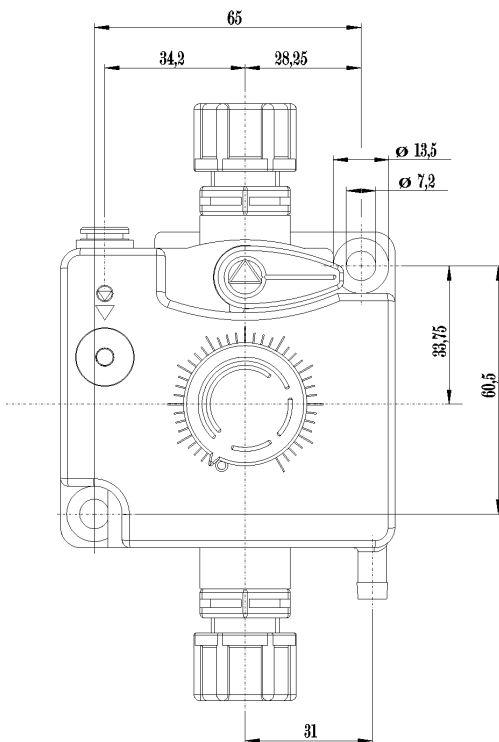
Power supply:	24 V DC other voltage on request
Power:	7 W
Protection class:	IP 65 when using wiring outlet
Operating factor:	100 %
Clocking:	T _{on} / T _{off min} 240/240 msec

Dimensions:

(pneumatic metering pump with external 3/2-port directional control valve)



Cut-out for bayonet locking unit
(see also spare parts Pos. 15 - 17)

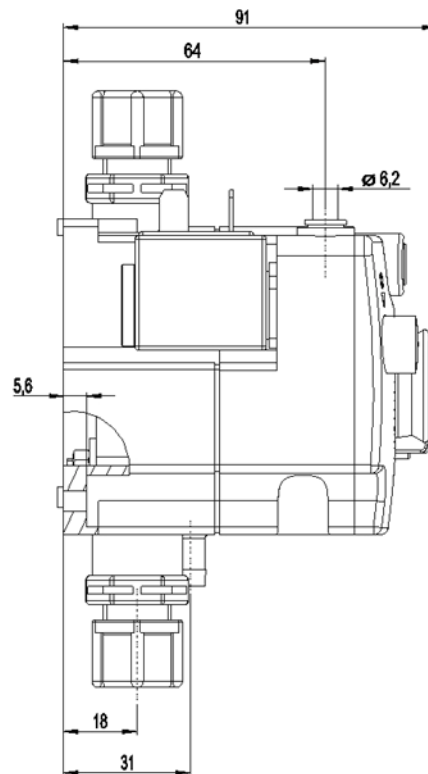
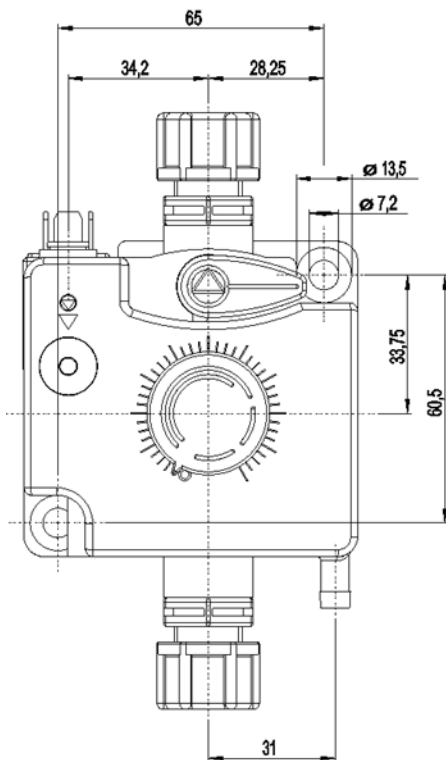
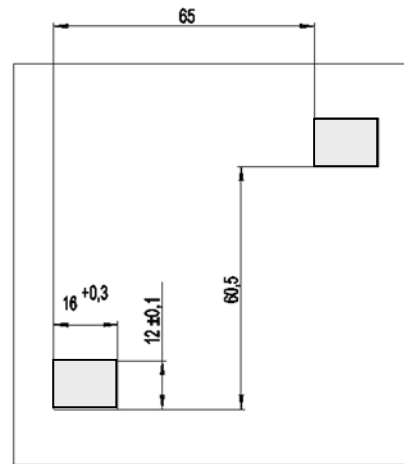
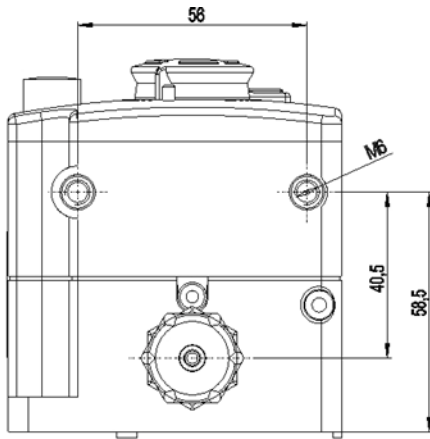


Hose connections

Suction connection (int.Ø/ext.Ø):	4/6, 6/8, 6/12 mm
Pressure connection (int.Ø/ext.Ø):	4/6, 6/8, 6/12 mm
Venting:	for hose PVC-soft ID6
Compressed-air supply:	for pipe PE/PA AD6

Dimensions:

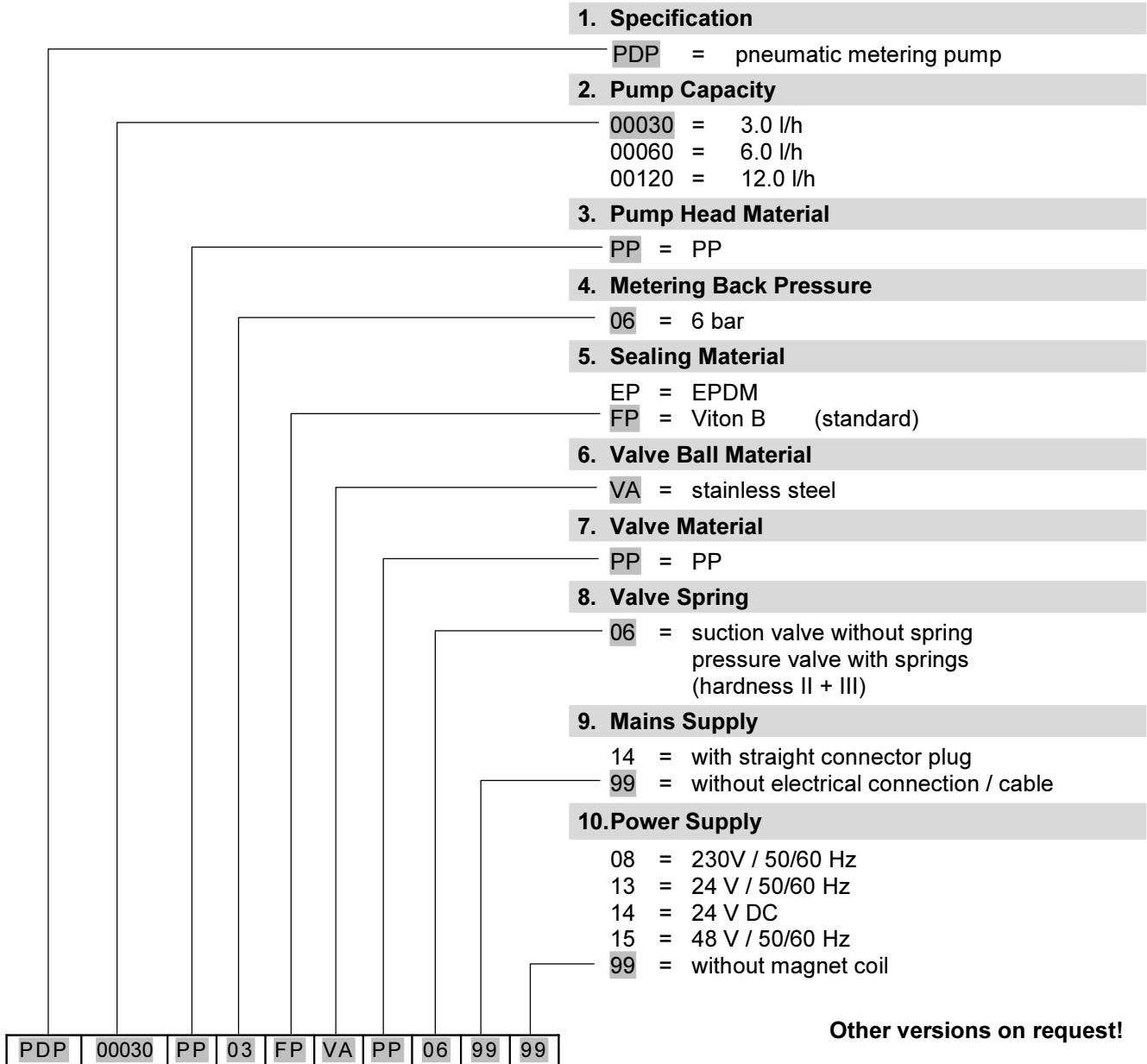
(pneumatic metering pump with integrated 3/2-port solenoid valve)



Hose connections

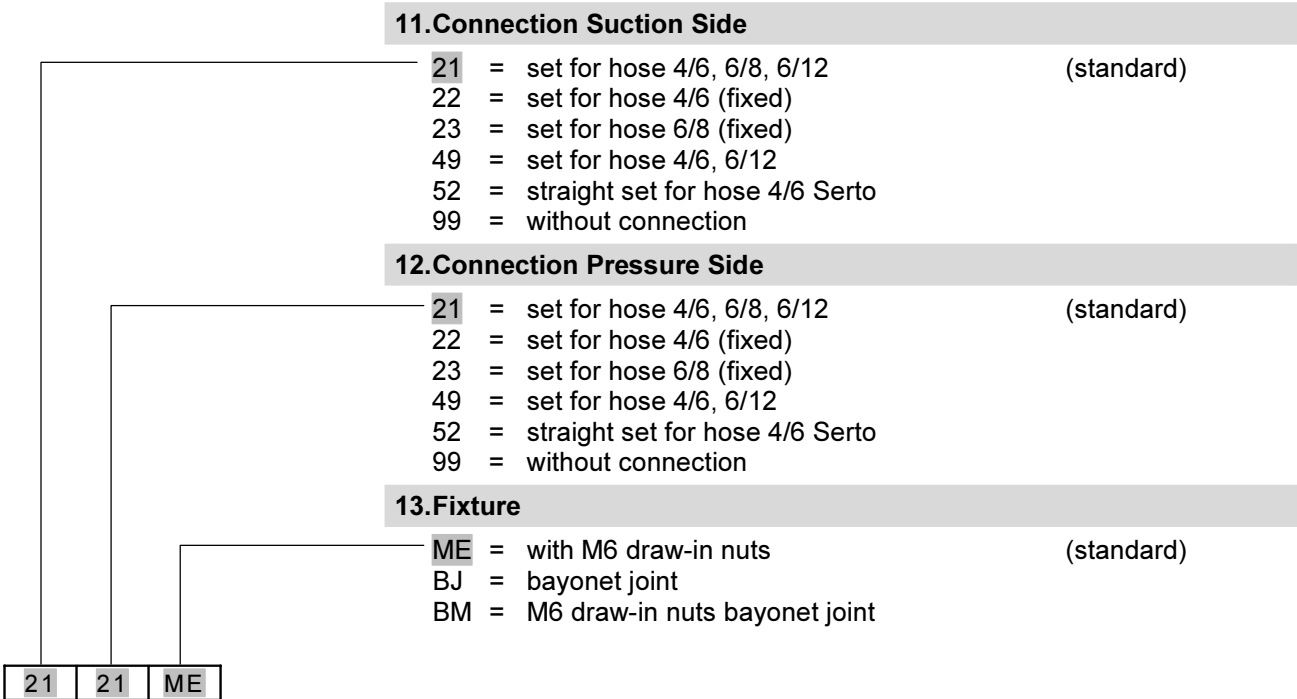
Suction connection (int.Ø/ext.Ø):	4/6, 6/8, 6/12 mm
Pressure connection (int.Ø/ext.Ø):	4/6, 6/8, 6/12 mm
Venting:	for hose PVC-soft ID6
Compressed-air supply:	for pipe PE/PA AD6

Pump Code – part 1



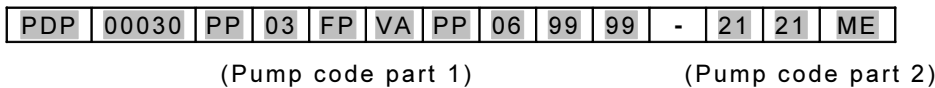
Other versions on request!

Pump Code – part 2



Other versions on request!

Example of a complete pump code:

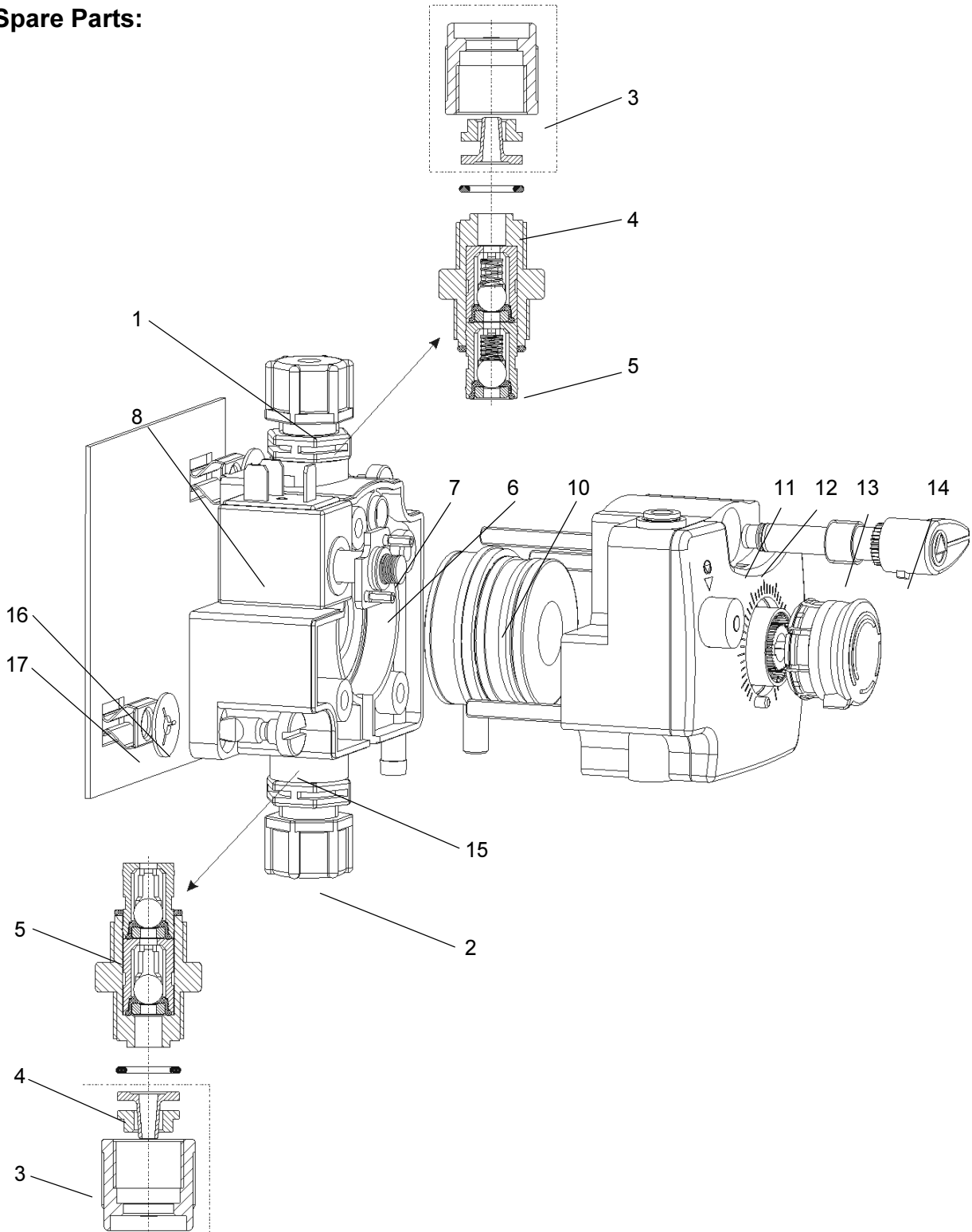


Ordering Data:

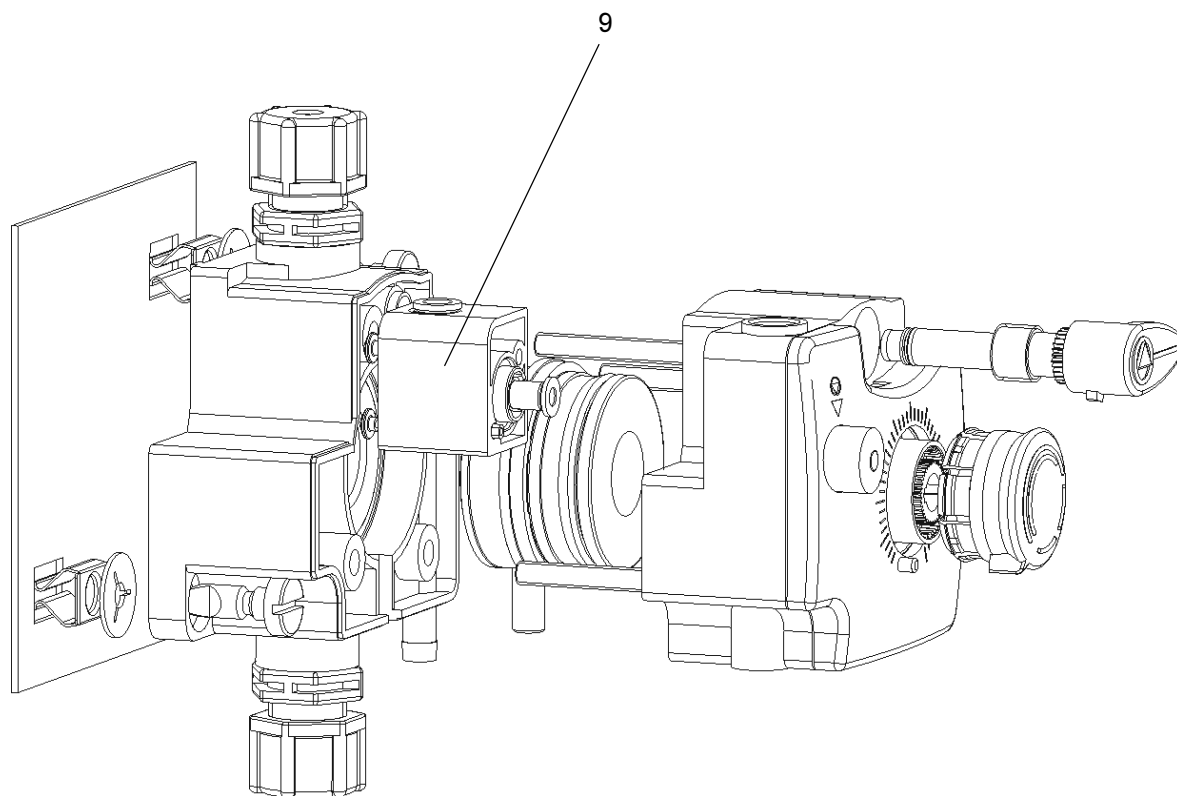
Article	Pump Code	Material No.
Pneumatische Dosierpumpe		
Version with external 3/2-port directional control valve		
	PDP 00030 PP 06 FP VA PP 06 99 99 21 21 ME	141048
	PDP 00060 PP 06 FP VA PP 06 99 99 21 21 ME	on request
	PDP 00120 PP 06 FP VA PP 06 99 99 21 21 ME	141049
Version with integrated 3/2-port solenoid valve		
	PDP 00030 PP 06 FP VA PP 06 14 14 21 21 ME	141046
	PDP 00060 PP 06 FP VA PP 06 14 14 21 21 ME	141050
	PDP 00120 PP 06 FP VA PP 06 14 14 21 21 ME	141047

Extent of supply: Hose connection material 4/6, 6/8 und 6/12 mm

Spare Parts:



Pos. 6 and Pos. 8 only for version with integrated 3/2-port solenoid valve



Pos. 9 only for version with external 3/2-port directional control valve

Pos.-no.	Article	Material No.
1	Pressure valve DRV PP FP VA 002 M18x1.5-G3/8-99	241033
	Pressure valve DRV PP EP VA 002 M18x1.5-G3/8-99	241035
2	Suction valve SAV PP FP VA 000 M18x1.5-G3/8-99	241032
	Suction valve SAV PP EP VA 000 M18x1.5-G3/8-99	241034
3	Connection set PVDF for G3/8 hose (ID/AD) 4/6, 6/8, 6/12 mm	248491
4	O-ring Viton B 10x2.5	417003327
	O-ring EPDM 10x2.5	417001080
5	O-ring Viton B 12x2	417003309
	O-ring EPDM 12x2	417001101
6*	Armature system 1.7 CU F FL KPL to be ordered with 2x Pos. 7 (EJOT-PT-screw)	417704075
7	EJOT-PT-screw KB 30 X 10 WN1423 V2A	413071239
8*	Magnet coil CK024C 24 V AC	417704076
	Magnet coil CK048C 48 V AC	417704077
	Magnet coil CK024D 24 V DC (standard)	417704078
	Magnet coil 230 V AC	417704079
9**	Compressed-air inlet complete	241016
10	Diaphragm cartridge 3.0 l/h	241013
	Diaphragm cartridge 12.0 l/h	241015
11	O-ring Viton B 3.5x1.5	417003313
	O-ring EPDM 3.5x1.5	417001012
12	O-ring Viton B 5.28x1.78	417003596
	O-ring EPDM 5.28x1.78	417001030
13	Venting screw PP PDP	34103016
14	Venting lever	34103018
15	Bayonet screw S60	413229080
16	Retaining washer S60	413229081
17	Locking unit S60	413229082
without figure	Wiring outlet 2-pole straight (only for version with integrated 3/2-port solenoid valve)	418468061

* Pos. 6 and Pos. 8 only for version with integrated 3/2-port solenoid valve

** Pos. 9 only for version with external 3/2-port directional control valve