

Elima-Matic 2" Aluminum Bolted Pump Parts List

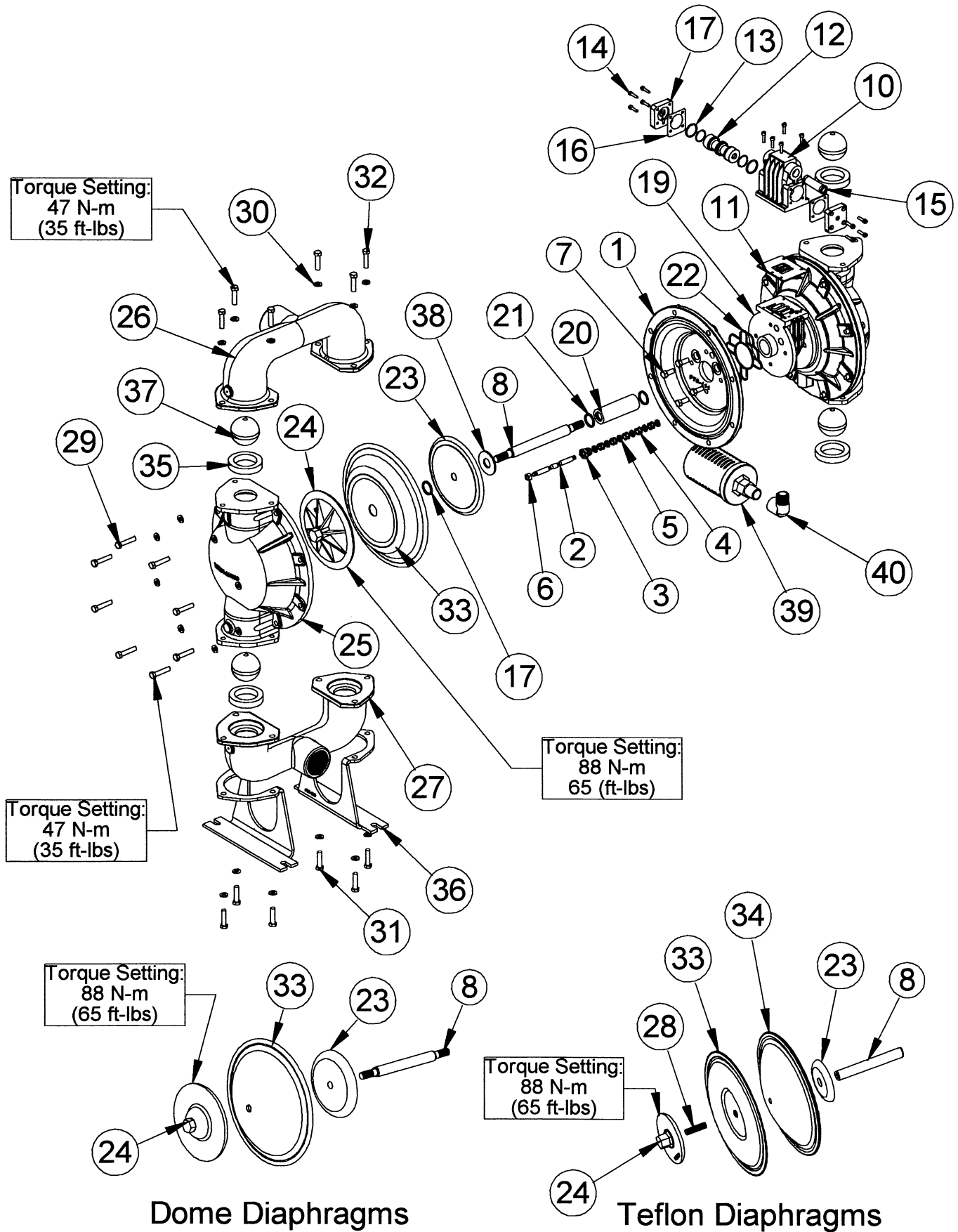
| ITEM | DESCRIPTION | QTY | PUMP DESCRIPTION | | |
|------|-------------------------------------|-----|---|---|--|
| | | | 2" Aluminum Bolted Pump | | |
| | | | Rubber and TPE Rugged Elastomers | Rubber and TPE Domed Elastomers | Teflon Elastomers |
| 1 | Air Chamber | 2 | | | P79-111 |
| 2 | Pilot Shaft | 1 | | | P24-104 |
| 3 | Bushing, Threaded | 2 | | | P24-105 |
| 4 | Pilot Valve Spacer Rings | 5 | | | P24-106 |
| 5 | Pilot Valve O-Rings | 6 | | | P24-107 |
| 6 | Stop Nut | 2 | | | P24-108 |
| 7 | Bolt | 8 | | | P24-110 |
| 8 | Main Shaft | 1 | P24-103 | P24-103 | P24-102 |
| 9 | Valve Assembly (Items 10-17) | 1 | | | P34-200 |
| 10 | Air Valve & Sleeve Assembly | 1 | | | P34-211 |
| 11 | Gasket, Valve Body | 1 | | | P24-202 |
| 12 | Spool, Air Supply | 1 | | | P34-204 |
| 13 | Glyd-Rings Assembly | 2 | | | P34-204F |
| 14 | Cap Screw | 13 | | | P24-208 |
| 15 | Air Valve Screen | 1 | | | P24-210 |
| 16 | Gasket, End Cap | 2 | | | P24-205 |
| 17 | End Cap Assembly | 2 | | | P34-300 |
| 18 | Center Block Assembly (Items 19-22) | 1 | | | P24-400 |
| 19 | Center Block | 1 | | | P24-401 |
| 20 | Bearing Sleeve | 1 | | | P24-402 |
| 21 | Center Block O-Ring | 2 | | | P24-403 |
| 22 | Center Block Gasket | 2 | | | P79-109 |
| 23 | Inner Diaphragm Plate | 2 | V221B | V226B | V221TI |
| 24 | Outer Diaphragm Plate | 2 | VB221 | VB226 | V221TO |
| 25 | Water Chamber | 2 | | | V235FB |
| 26 | Discharge Manifold | 1 | | | V236FB ⁴ |
| 27 | Suction Manifold | 1 | | | V237FB ⁴ |
| 28 | Shaft Stud | 2 | N/R | N/R | V221F |
| 29 | Bolt- Water Chamber | 16 | | | P34-110 |
| 30 | Washer | 28 | | | V302GA |
| 31 | Bolt- Inlet Manifold | 6 | | | P34-110 |
| 32 | Bolt- Discharge Manifold | 6 | | | P24-110 |
| 33 | Diaphragm | 2 | V224BN V224N V224ND V224VT V224TPEXL V224TPEFG | V225BN V225N V225ND V225VT V225TPEXL V225TPEFG | V224TF-FB V224TX ¹ |
| 34 | Back-Up Diaphragm | 2 | N/R | N/R | V224TFB ² V224TFB-1 ³ |
| 35 | Valve Seat | 4 | V240BN V240N V240ND | V240VT V240TPEXL V240TPEFG | V240TF |
| 36 | Mounting Bracket | 2 | | | P79-390 ⁵ |
| 37 | Valve Ball | 4 | V241BN V241N V241ND | V241VT V241TPEXL V241TPEFG | V241TF |
| 38 | Bumper Washer | 2 | P24-501 | P24-501 | N/R |
| 39 | Muffler | 1 | | | VM-0750 |
| 40 | Plastic Elbow | 1 | | | PV220G |

- 1 TX denotes the Versa-Tuff™ Bonded Teflon diaphragm.
- 2 V224TFB is the Hytrel Back-up Diaphragm used with part number V224TF.
- 3 V224TFB-1 is the Neoprene Back-up diaphragm used with part number V224TF.

- 4 Add "BSP" for BSP threads.
- 5 SP79-390- 304 Stainless steel.

| Material Suffix Codes | |
|-----------------------|--|
| BN- Buna-N (Nitrile) | TF- Teflon |
| N- Neoprene | TPEXL- Thermoplastic XL |
| ND- Nordel (EPDM) | TPEFG- Thermoplastic Hytrel (Food Grade) |
| VT- Viton | |

2" Aluminum Bolted Pump Exploded View



Dome Diaphragms

Teflon Diaphragms

Elima-Matic 2" Stainless Steel Bolted Pump Parts List

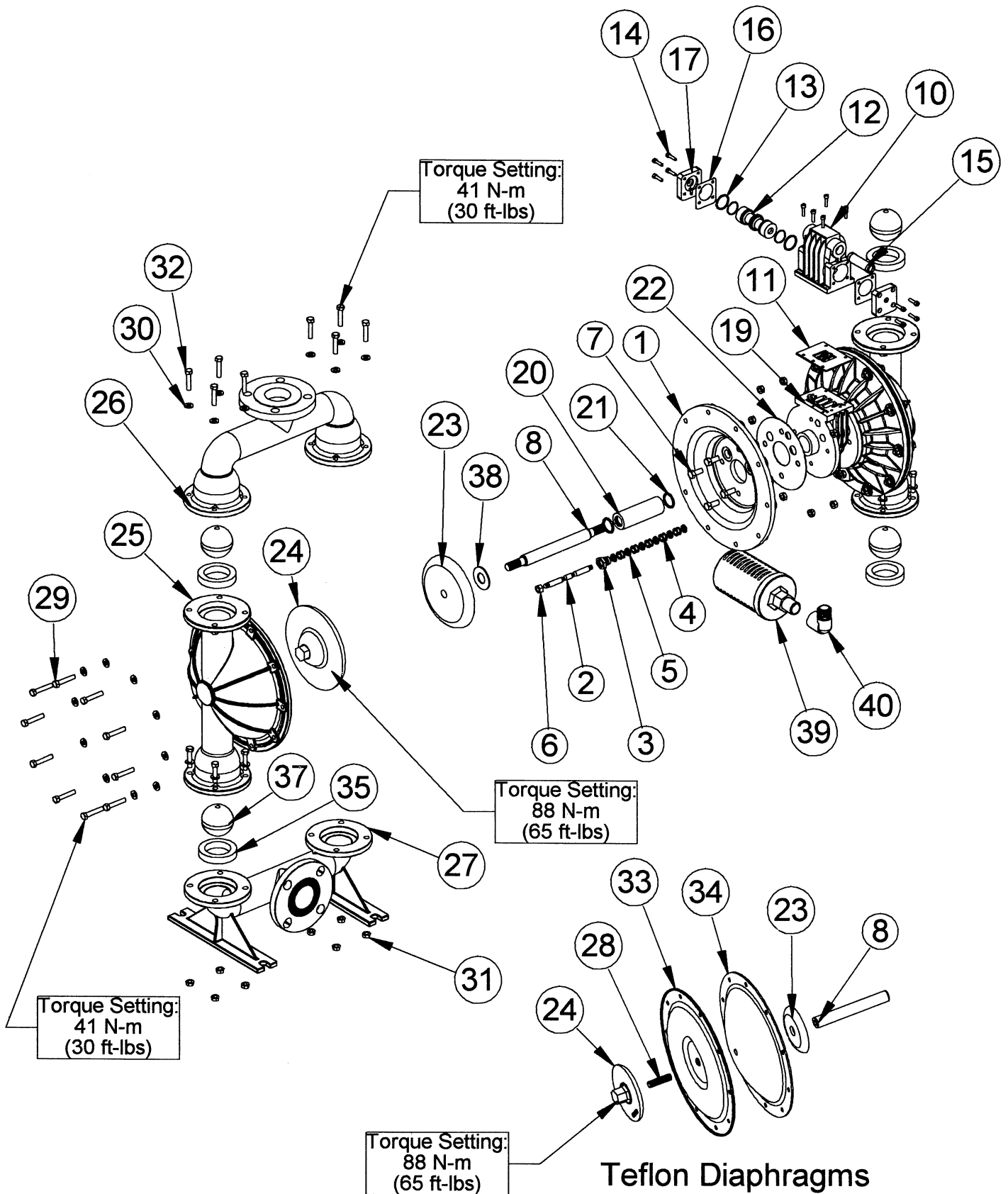
| ITEM | Description | QTY | PUMP DESCRIPTION | |
|------|--------------------------------------|-----|--|----------------------------------|
| | | | 2" Stainless Steel Bolted Pump | |
| | | | Rubber and TPE Elastomers | Teflon Elastomers |
| 1 | Air Chamber | 2 | P24-111 | |
| 2 | Pilot Shaft | 1 | P24-104 | |
| 3 | Bushing, Threaded | 2 | P24-105 | |
| 4 | Pilot Valve Spacer Rings | 5 | P24-106 | |
| 5 | Pilot Valve O-Rings | 6 | P24-107 | |
| 6 | Stop Nut | 2 | P24-108 | |
| 7 | Bolt | 8 | P24-110 | |
| 8 | Main Shaft | 1 | P24-103 | P24-102 |
| 9 | Valve Assembly (Items 10-17) | 1 | P34-200 | |
| 10 | Air Valve & Sleeve Assembly | 1 | P34-211 | |
| 11 | Gasket, Valve Body | 1 | P24-202 | |
| 12 | Spool, Air Supply | 1 | P34-204 | |
| 13 | Glyd-Rings Assembly | 2 | P34-204F | |
| 14 | Cap Screw | 13 | P24-208 | |
| 15 | Air Valve Screen | 1 | P24-210 | |
| 16 | Gasket, End Cap | 2 | P24-205 | |
| 17 | End Cap Assembly | 2 | P34-300 | |
| 18 | Center Block Assembly (Items 19-22) | 1 | P24-400 | |
| 19 | Center Block | 1 | P24-401 | |
| 20 | Bearing Sleeve | 1 | P24-402 | |
| 21 | Center Block O-Ring | 2 | P24-403 | |
| 22 | Center Block Gasket | 2 | P24-109 | |
| 23 | Inner Diaphragm Plate | 2 | V226B | V221TI |
| 24 | Outer Diaphragm Plate | 2 | SVB226 | SV221TO |
| 25 | Water Chamber | 2 | SV235FB (stainless steel) WV235FB (cast iron) | |
| 26 | Discharge Manifold-Vertical Outlet | 1 | SV236FB (stainless steel) WV236FB (cast iron) | |
| 26-A | Discharge Manifold-Horizontal Outlet | 1 | SV236FBH (stainless steel) WV236FBH (cast iron) | |
| 27 | Suction Manifold | 1 | SV237FBH (stainless steel) WV237FBH (cast iron) | |
| 28 | Shaft Stud | 2 | N/R | V221F |
| 29 | Bolt-Water Chamber | 20 | SV187A | |
| 30 | Washer | 36 | SV189C | |
| 31 | Nut | 36 | SV185B | |
| 32 | Bolt-Manifold | 16 | SV189D | |
| 33 | Diaphragm | 2 | V227BN V227N V227ND | V227VT V227TPEXL V227TPEFG |
| 34 | Back-Up Diaphragm | 2 | N/R | V227TFB ² |
| 35 | Valve Seat | 4 | V240BN V240N V240ND | V240VT V240TPEXL V240TPEFG |
| 36 | Valve Seat O-Ring | 4 | N/R | V240T |
| 37 | Valve Ball | 4 | V241BN V241N V241ND | V241VT V241TPEXL V241TPEFG |
| 38 | Bumper Washer | 2 | P24-501 | N/R |
| 39 | Muffler | 1 | VM-0750 | |
| 40 | Plastic Elbow | 1 | PV220G | |

1 TX Denotes the Versa-Tuff™ Bonded Teflon Diaphragm.

2 V227TFB is the Neoprene Back-up Diaphragm used with Part Number V227TF.

| Elastomer suffix codes | |
|------------------------|--|
| BN- Buna-N (Nitrile) | TF- Teflon |
| N- neoprene | TPEXL- Thermoplastic XL |
| ND- Nordel (EPDM) | TPEFG- Thermoplastic Hytrel (Food Grade) |
| VT- Viton | |

**2" Stainless Steel Bolted Pump
Exploded View**



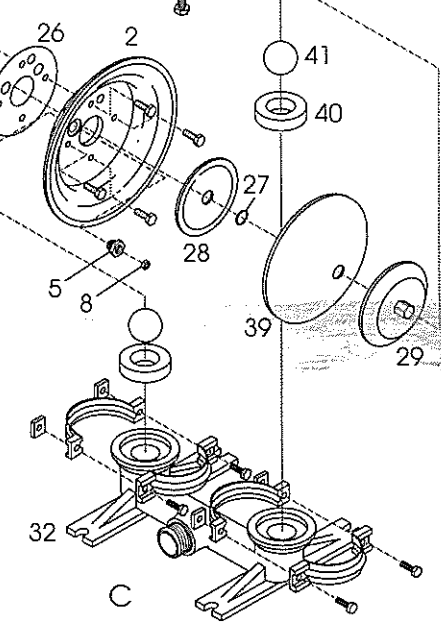
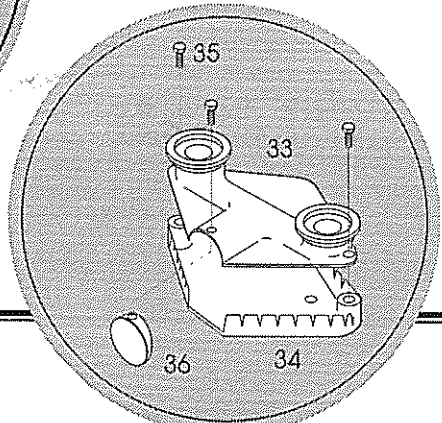
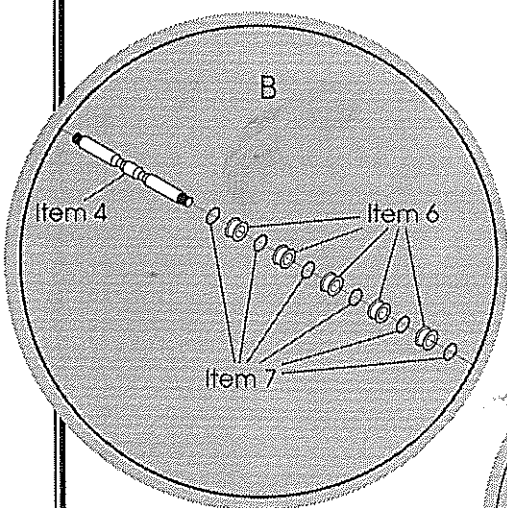
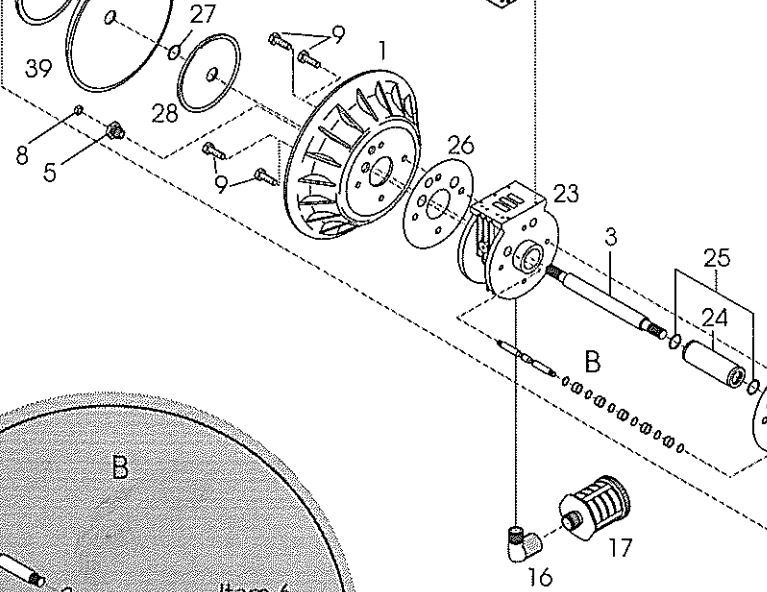
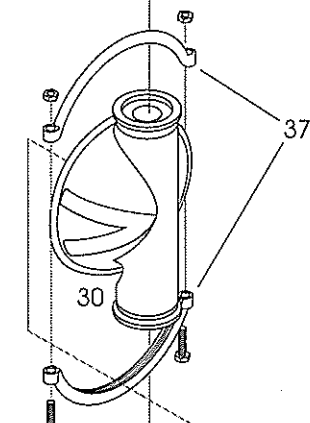
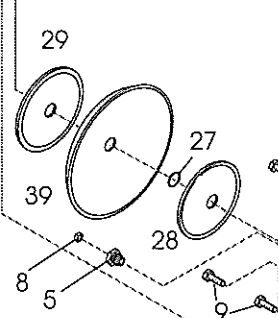
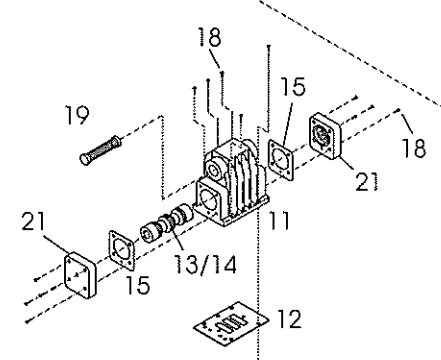
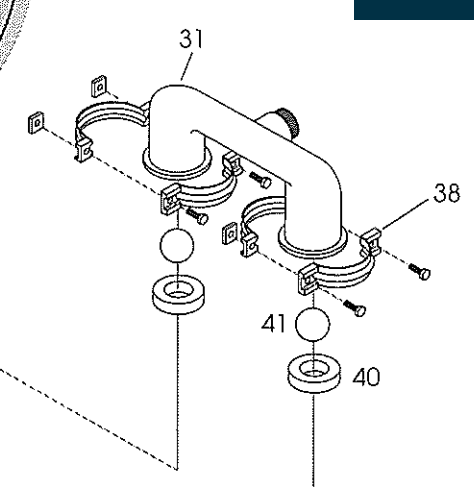
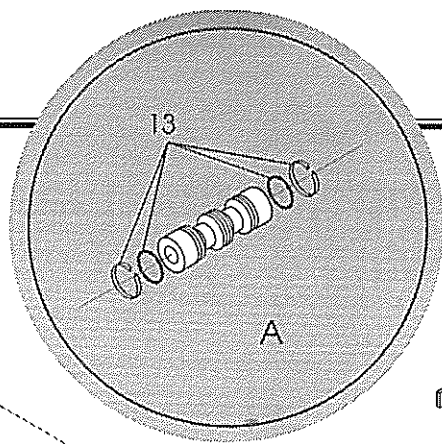
E2, 2" Pumps, Rubber Elastomers Assembly Drawing & Parts Lists

| Item | Description | Qty | Pump Model Number | | | | |
|------|--------------------------------------|-----|---------------------------------|----------|----------|----------|----------|
| | | | E2BA.... | E2AA.... | E2CA.... | E2SA.... | E2HA.... |
| | Center Section Assembly (Items 1-27) | 1 | P24-100 | | | | |
| 1 | Air Chamber | 2 | P24-101 | | | | |
| 2 | | | | | | | |
| 3 | Shaft | 1 | P24-103 | | | | |
| 4 | Pilot Shaft | 1 | P24-104 | | | | |
| 5 | Bushing, Threaded | 2 | P24-105 | | | | |
| 6 | Pilot Valve Spacer Rings | 5 | P24-106 | | | | |
| 7 | Pilot Valve O-Rings | 6 | P24-107 | | | | |
| 8 | Stop Nut | 2 | P24-108 | | | | |
| 9 | Bolt | 8 | P24-110 | | | | |
| 10 | Valve Assembly (Items 11-21) | 1 | P34-200 | | | | |
| 11 | Air Valve & Sleeve Assembly | 1 | P34-211 | | | | |
| 12 | Gasket, Valve Body | 1 | P24-202 | | | | |
| 13 | Glyd-Ring Assembly | 2 | P34-204F | | | | |
| 14 | Spool Assembly | 1 | P34-204 | | | | |
| 15 | Gasket, End Cap | 2 | P24-205 | | | | |
| 16 | Plastic Elbow | 1 | PV220G | | | | |
| 17 | Muffler | 1 | VM-0750 | | | | |
| 18 | Cap Screw | 13 | P24-208 | | | | |
| 19 | Air Valve Screen | 1 | P24-210 | | | | |
| 20 | | | | | | | |
| 21 | End Cap Assembly | 2 | P34-300 | | | | |
| 22 | Center Block Assembly (Item 23-26) | 1 | P24-400 | | | | |
| 23 | Center Block | 1 | P24-401 | | | | |
| 24 | Bearing Sleeve | 1 | P24-402 | | | | |
| 25 | Center Block O-Ring | 2 | P24-403 | | | | |
| 26 | Center Block Gasket | 2 | P24-109 | | | | |
| 27 | O-Ring | 2 | V221D (use with V224 Diaphragm) | | | | |
| 28 | Inner Diaphragm Plate | 2 | *V221B | | | | |
| | | | **V226B | | | | |
| 29 | Outer Diaphragm Plate | 2 | *VB221 | *WVB221 | *SVB221 | *HVB221 | |
| | | | **VB226 | **SVB226 | **SVB226 | **HVB226 | |
| 30 | Water Chamber | 2 | V235 | WV235 | SV235 | HV235 | |
| 31 | Discharge Manifold | 1 | V236 | WV236 | SV236 | HV236 | |
| 32 | Inlet Suction Manifold-Footed | 1 | N/R | V237F | WV237F | SV237F | HV237F |
| 33 | Inlet Housing-Screened | 1 | V237 | N/R | | | |
| 34 | Screen for P/N V237 | 1 | V238 | N/R | | | |
| 35 | Bolt | 3 | V238A | N/R | | | |
| 36 | Hook-Up-Cover | 1 | V242 | N/R | | | |
| 37 | Large Clamp Assembly, SS | 2 | V230-1 | | SV230-1 | | |
| 38 | Small Clamp Assembly, SS | 4 | V239 | | SV239 | | |
| 39 | Diaphragm (2 Styles Available) | 2 | Versa-Rugged V224 †† | | | | |
| | | | Versa-Dome V225 †† | | | | |
| 40 | Valve Seat | 4 | V240 †† | | | | |
| 41 | Valve Ball | 4 | V241 †† | | | | |

| | |
|---------------------|---|
| †† Material Options | Choose the correct material code suffix (example V224N designates a Neoprene Diaphragm) |
| N – Neoprene | XL – XL Thermomatic |
| BN – Buna-N | ND – Nordel |
| V – Viton | FG – Hytrel |

* Indicates parts used with V224, Versa-Rugged Diaphragms

** Indicates parts used with V225, Versa-Dome Diaphragms



Revised 3/97

E2, 2" Pumps, Teflon Elastomers Assembly Drawing & Parts Lists

| Item | Description | Qty | Pump Model Number | | | |
|------|--------------------------------------|-----|-------------------------|------------------------|----------------------------|--------------------------|
| | | | E2AA5T550 Aluminum | E2CA5T550 Cast Iron | E2SA5T550 Stainless Stl | E2HA5T550 Hastelloy C |
| | Center Section Assembly (Items 1-27) | 1 | P24-100 | | | |
| 1 | Air Chamber | 2 | P24-101 | | | |
| 2 | | | | | | |
| 3 | Shaft | 1 | P24-102 | | | |
| 4 | Pilot Shaft | 1 | P24-104 | | | |
| 5 | Bushing, Threaded | 2 | P24-105 | | | |
| 6 | Pilot Valve Spacer Rings | 5 | P24-106 | | | |
| 7 | Pilot Valve O-Rings | 6 | P24-107 | | | |
| 8 | Stop Nut | 2 | P24-108 | | | |
| 9 | Bolt | 8 | P24-110 | | | |
| 10 | Valve Assembly (Items 11-21) | 1 | P34-200 | | | |
| 11 | Air Valve & Sleeve Assembly | 1 | P34-211 | | | |
| 12 | Gasket, Valve Body | 1 | P24-202 | | | |
| 13 | Glyd-Ring Assembly | 2 | P34-204F | | | |
| 14 | Spool Assembly | 1 | P34-204 | | | |
| 15 | Gasket, End Cap | 2 | P24-205 | | | |
| 16 | Plastic Elbow | 1 | PV220G | | | |
| 17 | Shaft Stud | 2 | V221F | | | |
| 18 | Cap Screw | 13 | P24-208 | | | |
| 19 | Air Valve Screen | 1 | P24-210 | | | |
| 20 | Muffler | 1 | VM-0750 | | | |
| 21 | End Cap Assembly | 2 | P34-300 | | | |
| 22 | Center Block Assembly (Item 23-26) | 1 | P24-400 | | | |
| 23 | Center Block | 1 | P24-401 | | | |
| 24 | Bearing Sleeve | 1 | P24-402 | | | |
| 25 | Center Block O-Ring | 2 | P24-403 | | | |
| 26 | Center Block Gasket | 2 | P24-109 | | | |
| 27 | Inner Diaphragm Plate | | V221TI | | | |
| 28 | Outer Diaphragm Plate | 2 | V221TO | SV221TO | | HV221TO |
| 29 | Water Chamber | 2 | V235 | WV235 | SV235 | HV235 |
| 30 | Discharge Manifold | 1 | V236 | WV236 | SV236 | HV236 |
| 31 | Inlet Suction Manifold-Footed | 1 | V237F | WV237F | SV237F | HV237F |
| 32 | Large Clamp Assembly, SS | 2 | V230-1 | | SV230-1 | |
| 33 | Small Clamp Assembly, SS | 4 | V239 | | SV239 | |
| 34 | Teflon Diaphragm | 2 | See Chart Below | | | |
| 35a | Back-Up Diaphragm | 2 | See Chart Below | | | |
| 35b | Gortex Tape Kit | 1 | V224TFG-KIT (Not Shown) | | | |
| 36 | Valve Seat | 4 | V240A | V240CS | SV240 | HV240 |
| 37 | Valve Seat O-Ring | 4 | V240T | | | |
| 38 | Valve Ball | 4 | V241TF | | | |
| 39 | Bumper Washer | 2 | P24-501 | | | |

Diaphragm Selection Chart:

For E2 Pump Models fitted with Tef-Matic™ Diaphragms, use Part No. V224TF and Back-Up Diaphragm Part Number V224TFB
 For E2 Pump Models fitted with Tef-Matic™ Diaphragms, use Part No. V224TF and Back-Up Diaphragm Part Number V224TFB

