

Figura 1
Figure 1

Parts list		Q.TY	DESCRIPTION
①	1	Back cover	
②	1	Driven shaft	
④	2	Bush	
⑤	2	Spring clip	
⑥	1	Driving gear	
⑦	2	O-Ring	
⑧	2	Gears feather key	
⑨	1	Central body	
⑩	1	Front cover	
⑪	1	Internal retaining ring	
⑫	1	Rotating ring (mech. seal)	
⑬	1	O-Ring	
⑭	1	Seal cover	
⑮	2	External retaining ring	
⑯	1	Ball bearing	
⑰	1	Valve spring	
⑱	4	Socket screw	
⑲	2	Dowel pin	
⑳	1	Valve shutter	
㉑	1	Clip	
㉒	2	Grub screw	
㉓	1	Feather key	
㉔	1	Coupling (pump side)	
㉕	1	O-Ring	
㉖	1	Bell housing	
㉗	1	Driving shaft	
㉘	3	Washer	
㉙	1	Nut	
㉚	1	Regulating screw	
㉛	1	Cap	
㉜	1	Valve seat	
㉝	1	Spacer	
㉞	1	Coupling (motor side)	
㉟A	2	Cut bush	
㊱A	1	Driven gear	
㊲A	1	Stationary ring (mech. seal)	
㊳B	1	Spring (mech. seal)	
㊴A	1	Grub screw	

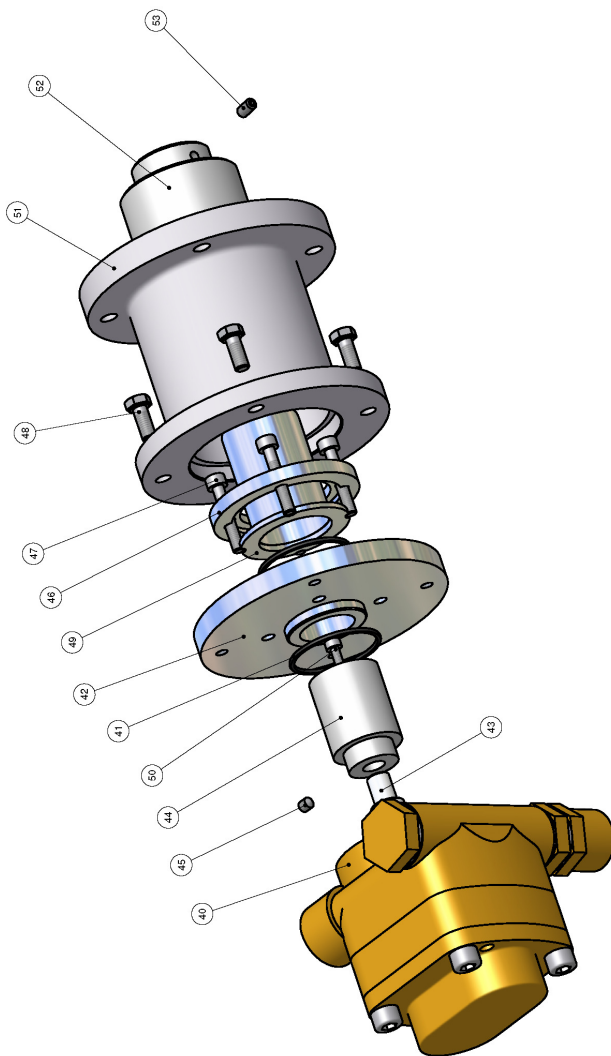


Figura 2
Figure 2

Parts list		
ITEM	Q.TY	DESCRIPTION
④①	1	Front cover
④②	2	O-Ring
④③	1	Flange
④④	1	Driving shaft
④⑤	1	Inner magnet
④⑥	1	Grub screw
④⑦	1	Ring
④⑧	4	Socket screw
④⑨	4	Hexagonal head screw
⑤①	1	Inner magnet cover
⑤②	1	Socket screw
⑤③	1	Bell housing
⑤④	1	Outer magnet
⑤⑤	1	Grub screw