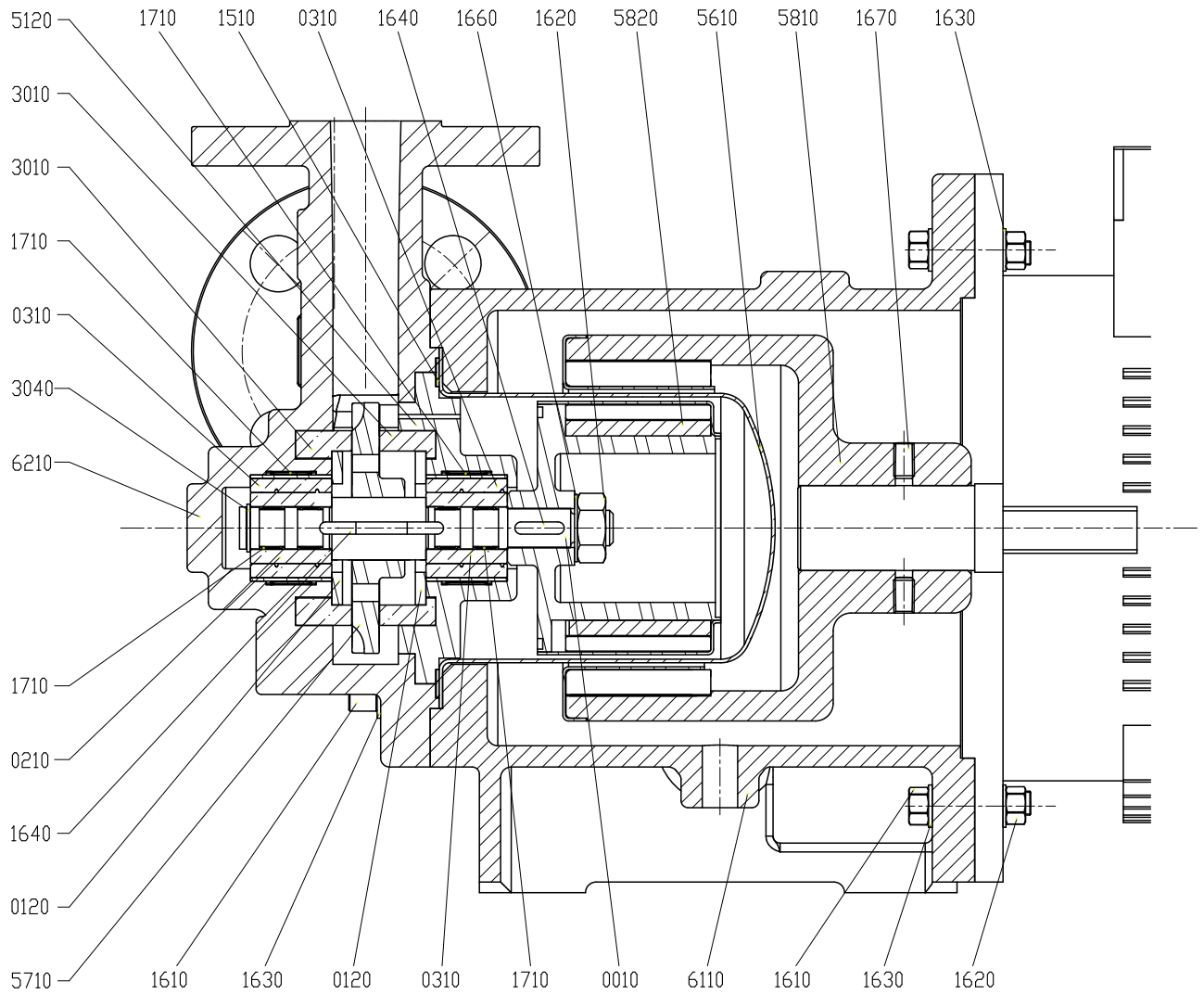


**/ CROSS
SECTION AND PART LIST**
SERIE/PUMP SERIES: T MAG-M1÷6



N°	DESCRIPTION
0010	Shaft
0120	Lock Washer
0210	Rotor Sleeve Bearing
0310	Bushing
1510	Gasket
1610	Screw
1620	Nut
1630	Washer
1640	Key
1660	Lock Washer
1670	Exagon Socket Set Srew
1710	Tollerance Ring
3010	Volute Ring Wear Ring
3040	Sejer
5120	Volute Ring
5610	Rear Casing
5710	Impeller
5810	External Magnet
5820	Internal Magnet
6110	Bracket
6210	Pump Casing