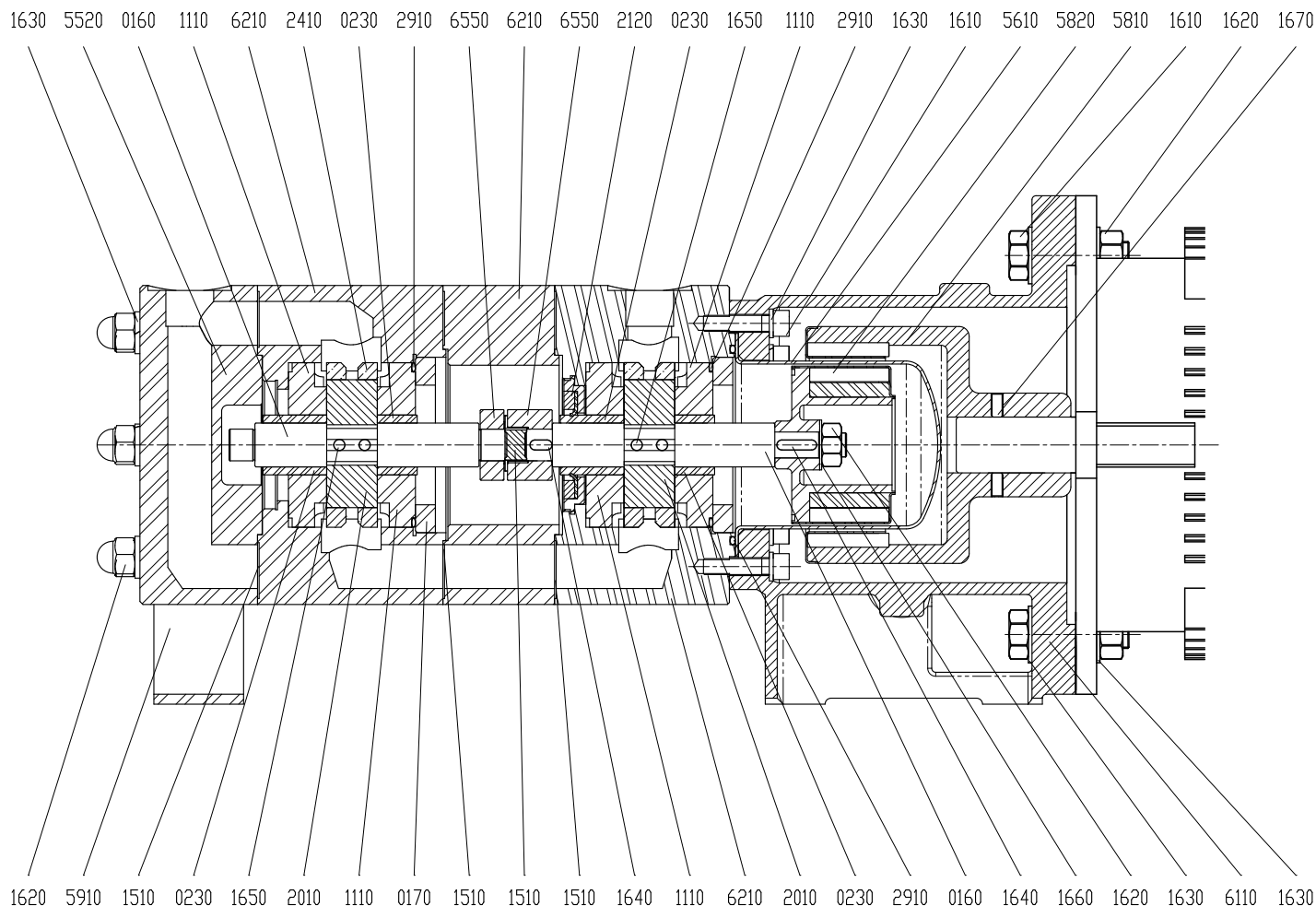


N°	DESCRIPTION
0160	Rotor
0170	Lock Ring
0230	Sleeve bushing
1110	Disc
1510	Gasket
1610	Screw
1620	Nut
1630	Washer
1650	Pins
1670	Exagon Socket Set Screw
2010	Vanes
2120	Lip Seal
2410	Stator
2910	O-Ring
5520	Pump Casing Cover
5610	Rear Casing
5810	External Magnet
5820	Internal Magnet
5910	Foot
6110	Bracket
6210	Pump Casing/Spacer
6550	Coupling Hub



N°	DESCRIPTION
0160	Rotor
0170	Lock Ring
0230	Sleeve bushing
1110	Disc
1510	Gasket
1610	Screw
1620	Nut
1630	Washer
1640	Key
1650	Pins
1660	Security Washer
1670	Exagon Socket Set Screw
2010	Vanes
2120	Lip Seal
2410	Stator
2910	O-Ring
5520	Pump Casing Cover
5610	Rear Casing
5810	External Magnet
5820	Internal Magnet
5910	Foot
6110	Bracket
6210	Pump Casing/Spacer
6550	Coupling Hub